

gembird®

**USER MANUAL • HANDBUCH • HANDLEIDING • MANUALE D'USO •
MANUAL DE USUARIO • MANUAL DO USUÁRIO • MANUEL
DESCRIPTIF • INSTRUKCJA OBSŁUGI • UŽIVATELSKÝ MANUÁL
• ІНСТРУКЦІЯ КОРИСТУВАЧА • POUŽÍVATEĽSKÁ PRÍRUČKA • VARTOTOJO
VADOVAS • MANUAL DE UTILIZARE**



MA-DA1-03

**FULL-MOTION DESK DISPLAY MOUNTING ARM, 17"-35"
VOLL BEWEGLICHER SCHREIBTISCH DISPLAY-MONTAGEARM, 17"-35"
DRAAIBAAR BUREAU MONTAGEARM VOOR SCHERMEN, 17"-35"
BRACCIO DI MONTAGGIO PER DISPLAY DA SCRIVANIA A MOVIMENTO COMPLETO, 17"-35"
BRAZO DE MONTAJE PARA PANTALLAS DE ESCRITORIO DE MOVIMIENTO COMPLETO, 17"-35"
BRAÇO DE MONTAGEM DE MONITORES FULL-MOTION DESK, 17"-35"
BRAS DE MONTAGE POUR ÉCRANS DE BUREAU À MOUVEMENT COMPLET, 17"-35"
PLNĚ POHYBLIVÝ STŮL, DISPLEJOVÉ MONTÁŽNÍ RAMENO, 17"-35"
PLNĚ POHYBLIVÝ STŮL, DISPLEJOVÉ MONTÁŽNÍ RAMENO, 17"-35"
КРОНШТЕЙН ДЛЯ КРІПЛЕННЯ ДИСПЛЕЇВ, 17-35 ДЮЙМІВ
VISO JUDESIO STALO EKRAŃU TVIRTINIMO RANKENA, 17-35 COLIJU
BIROU CU MIȘCARE COMPLETĂ, BRAȚ DE MONTARE CU AFIȘAJE, 17"-35"**

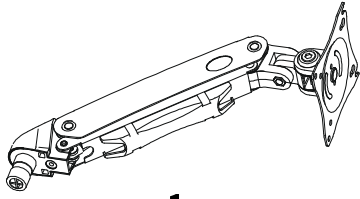
Features

- Monitor desk mount with single monitor arm
- Full-motion arm rotates, extends and retracts, tilts to change reading angles, and allows to rotate display from landscape-to-portrait mode, etc
- Enables easy ergonomic positioning for reduced strain
- Works with almost any LCD monitor (max. 35")
- Durable adjustable gas-spring suitable for monitors of 3 - 10 kg
- VESA compatible (100 x 100 mm and 75 x 75 mm)
- Strong desk clamp or grommet for easy and secure fixation on your desk

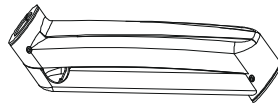
Specifications

- Material: Aluminum & Steel
- Screen size: 17 - 35"
- VESA: 75 x 75 - 100 x 100 mm
- Tilt: ±50°
- Screen rotation: 360°
- Arm length: 515 - 587 mm
- Screen height: 155 - 470 mm
- Desk fixation: clamp or grommet
- Weight capacity: 10 kg / 22.2 lbs

Part list



x1



x1

A1

x4



M4x18

B1

x4



M5x18

C1

x3



M6x12

D1

x4



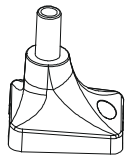
ø13xø5.2x1.5

E1

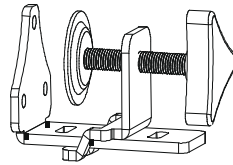
x8



ø9xø5x5



x1



x1



F

F3



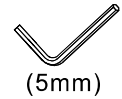
F4



G

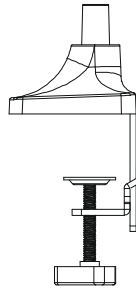
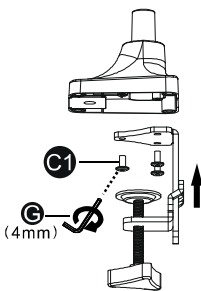
(3mm)

(4mm)

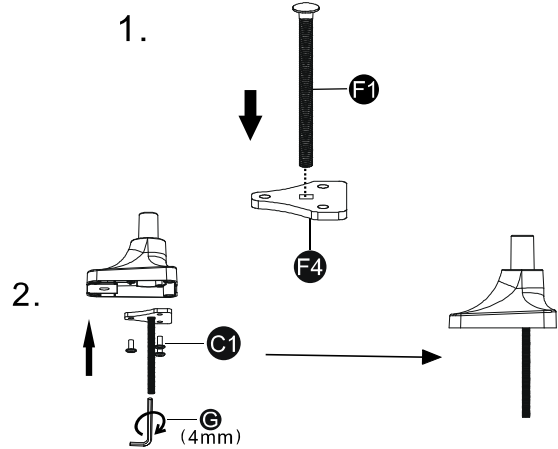


(5mm)

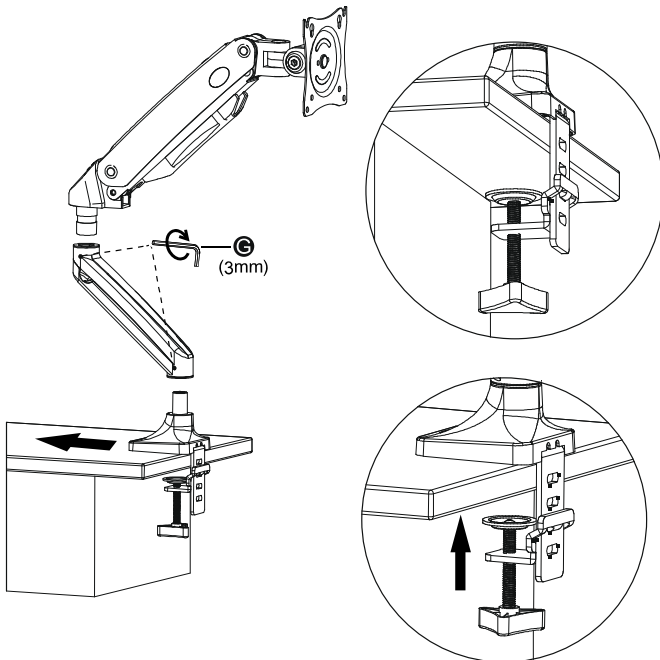
Step 1a Assemble The Fixture Base



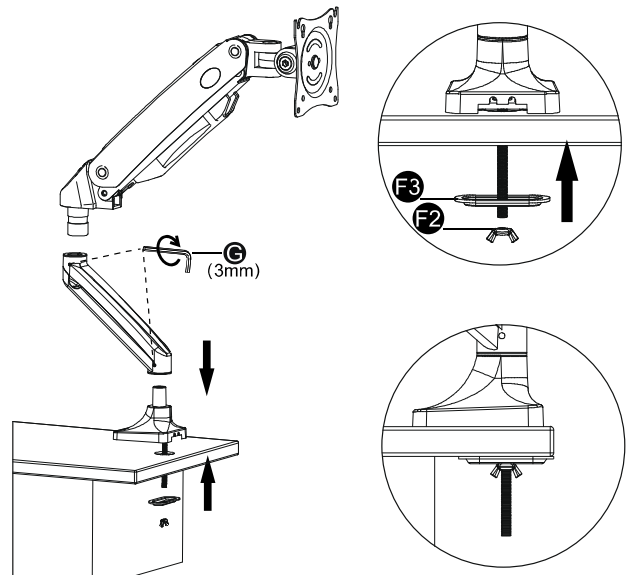
Step 1b Assemble The Keyhole Base



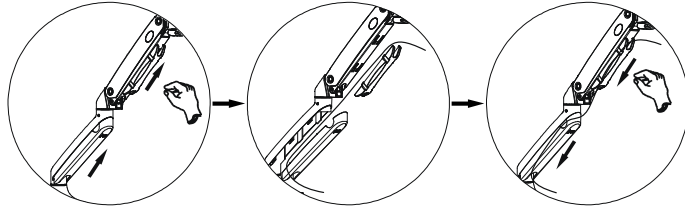
Step 2a Desktop Installation Assemble The Head



Step 2b Desktop Installation Assemble The Head

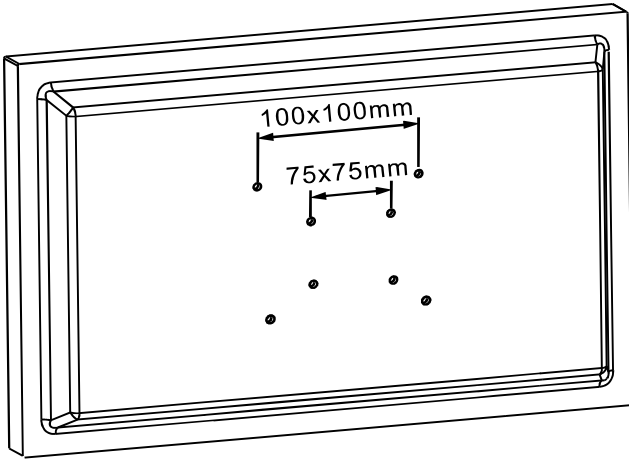


Step 3 Organize Signal Lines

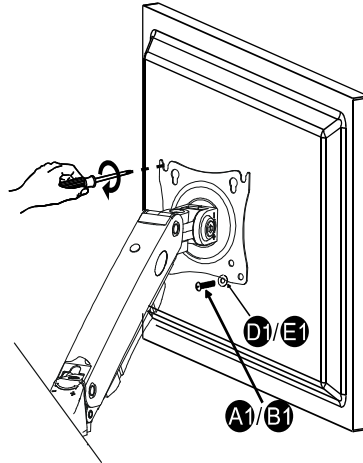


Step 4 Screen Mounting

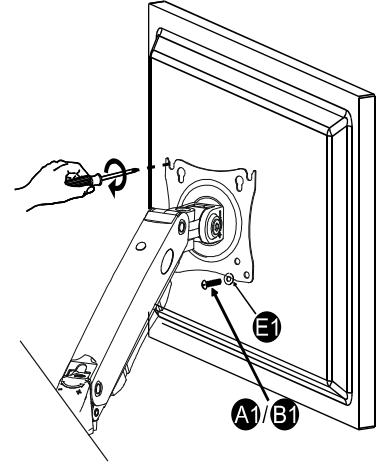
1.



2.

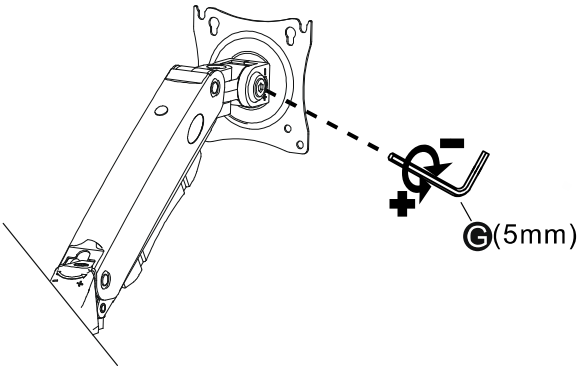


3.

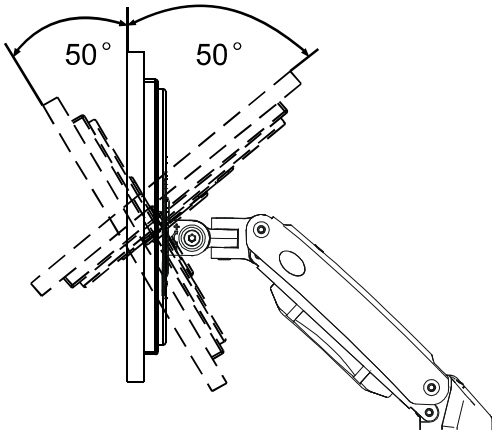


Step 5 Tilt Adjustment

1.



2.



Step 6 Tension Adjustment

'-' direction : Reduce tension for lighter monitor
'+' direction : Increase tension for heavier monitor.

