



FITS 27"-45"

Ergonomic desktop display mount

INSTRUCTION



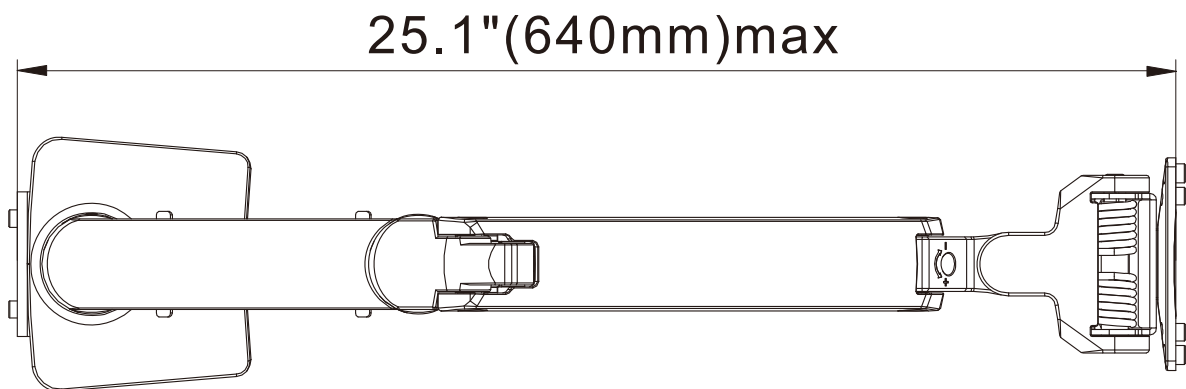
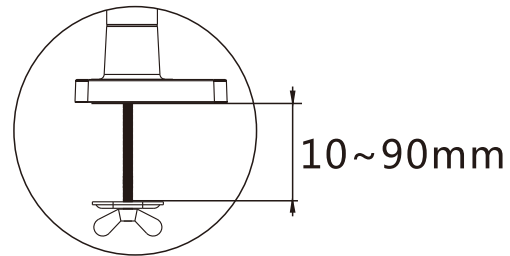
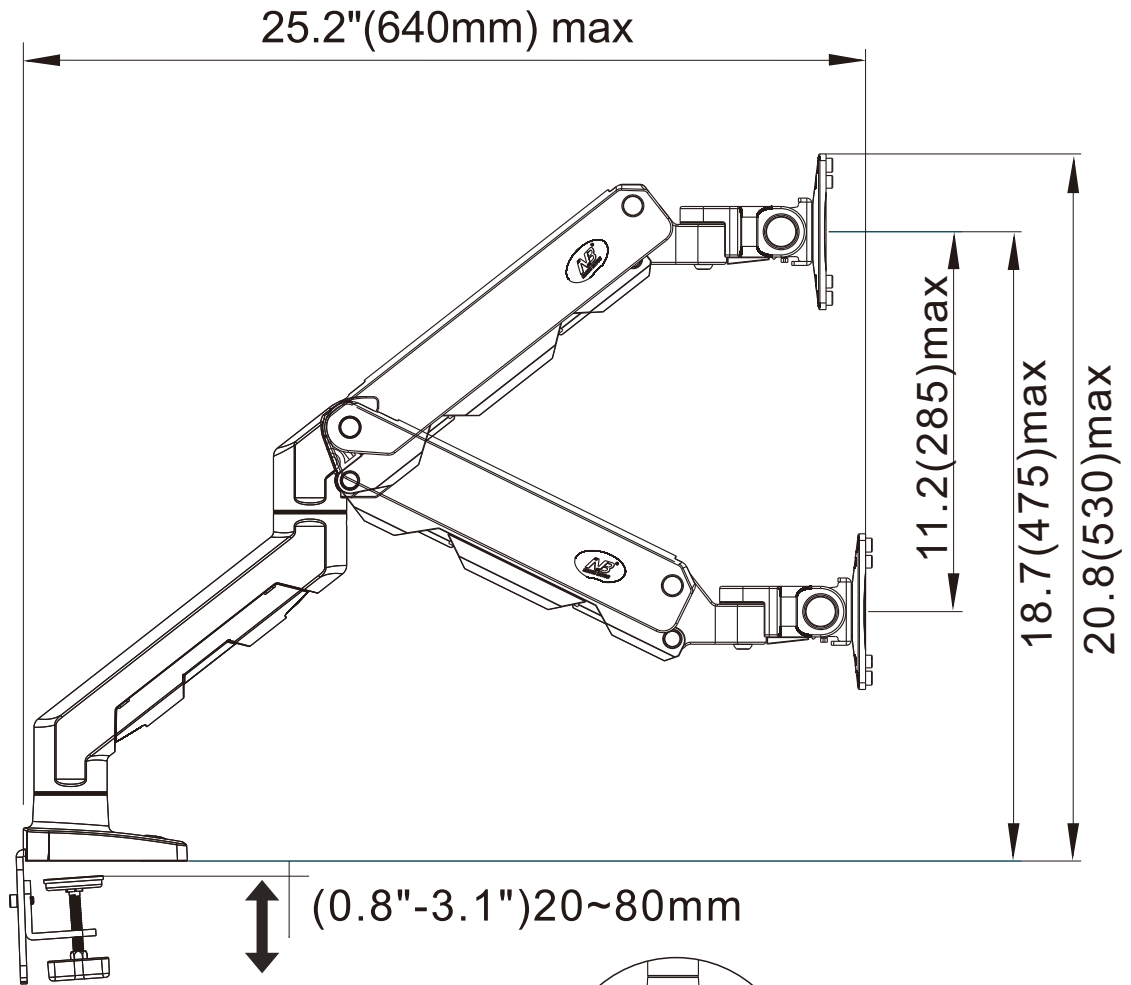
Model-G60

HEAVY DUTY MONITOR MOUNT

Table of Contents

Product Specifications	3/16
Caution	4-7/16
Parts list	8/16
1. Grommet and Table Edge Installation	9/16
2. Arm Assembly	9/16
3. Power and Display Lines Installation	10/16
4. Display Installation	12/16
5. Torque Adjustment	13-14/16
6. Rotation Restriction	15/16
7. Display Adjustment	15/16

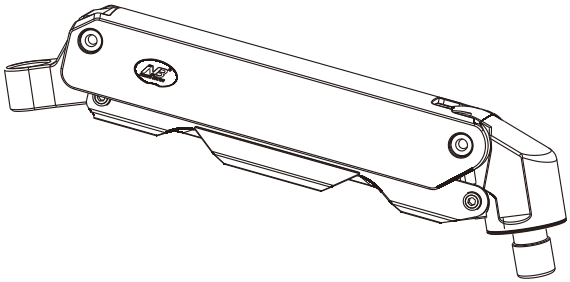
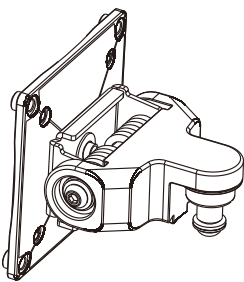
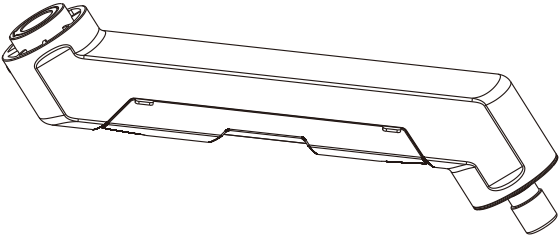
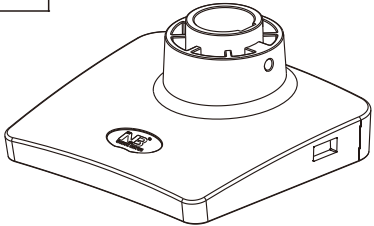
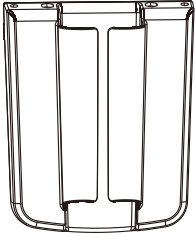




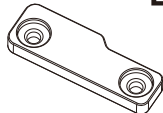







Product Specifications




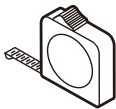






Pay attention when use

1. This product is suitable for 27"-45" LCD monitor/plasma screen, the max load can not exceed 16 kg / 35.2lbs
2. In order to ensure safe installation, the desktop used to install the product can bear the weight equivalent to 3 times the total load (stand, monitor and its accessories)
3. This product design contains sliding parts, for safety, please carefully .
4. wire routing on the monitor display bracket must comply with electrical technical rules
5. Importantly, power and data cables must be protected against twisting and compression or shearing
6. The manufacturer is not responsible for the damage to the desktop caused by unloading or accidents
7. The manufacturer hereby declares that it does not assume any legal responsibility for the damage or damage caused by the following situations: self-modification of the product, or improper installation, or installation exceeding the maximum bearing capacity indicated on this product, or improper use, or due to use. cause wear or damage to this product.
8. This product contains a high-pressure gas spring, so it is strictly forbidden to bake and knock it during installation and use, and it is strictly forbidden to disassemble it without a professional! If the product is scrapped, please send it back to the original factory or hand it over to a professional organization for processing. In order to ensure the performance of the gas spring, it is recommended that you adjust the full stroke of the arm of this product several times a month.

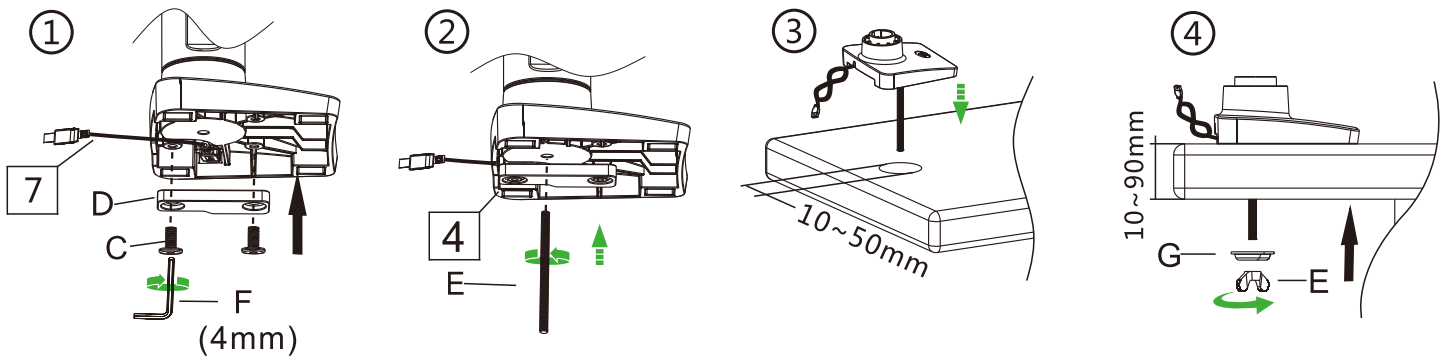
Parts List

1			2	
3			4	
5	6		7	
A	B	C	D	
			 	
4X M4×20	4X M5×20	4X M6×12	Pressure Plate 2x Plastic pad	
E		F		G
 		  		
Butterfly nut	Carriage Bolts	3mm	4mm	Locking plate

Manual							
							
Tightening Direction	Loosening Direction	Phillips Screwdriver	Meter Ruler	Adjustment	By Hand	Allen key	+ Tightening - Loosening

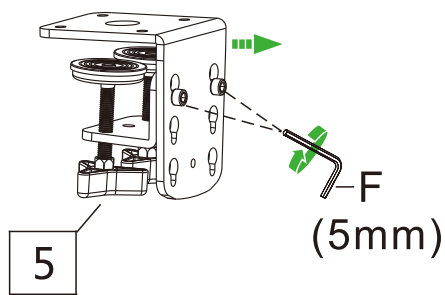
1. Grommet Installation

1.1

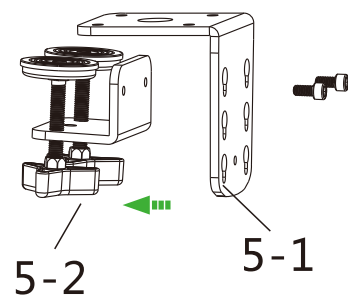


Ensure screws are secured firmly.

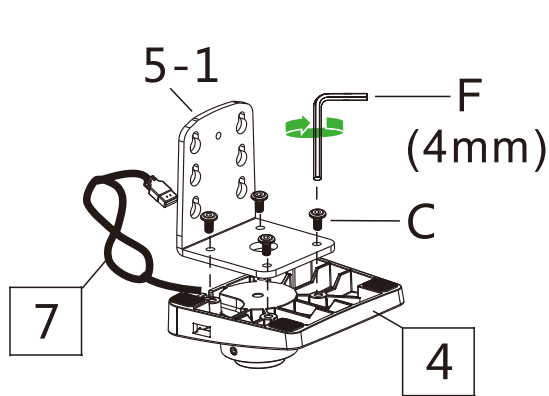
2. Table Edge Installations



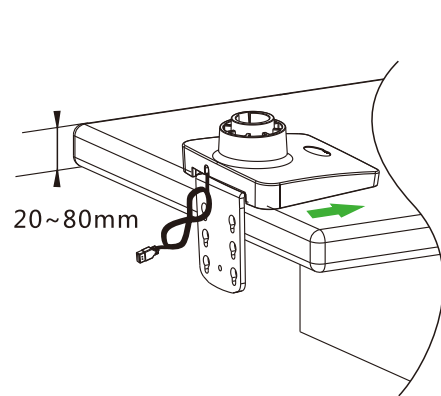
①



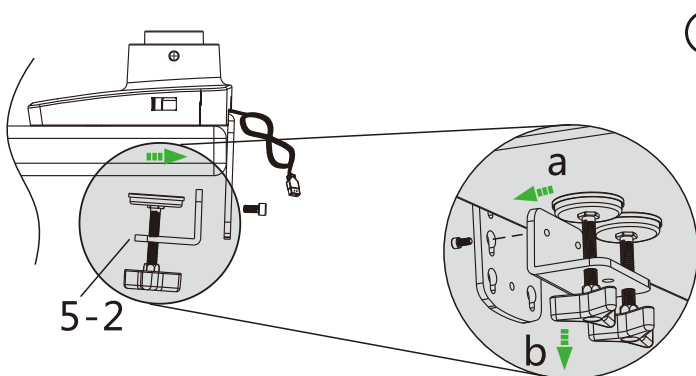
②



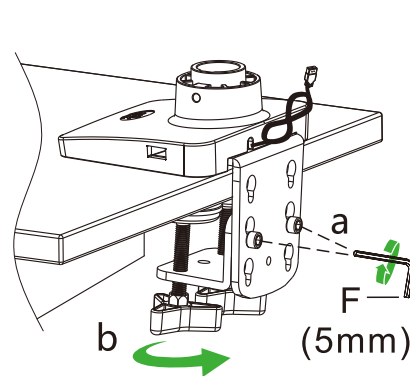
③



④



⑤

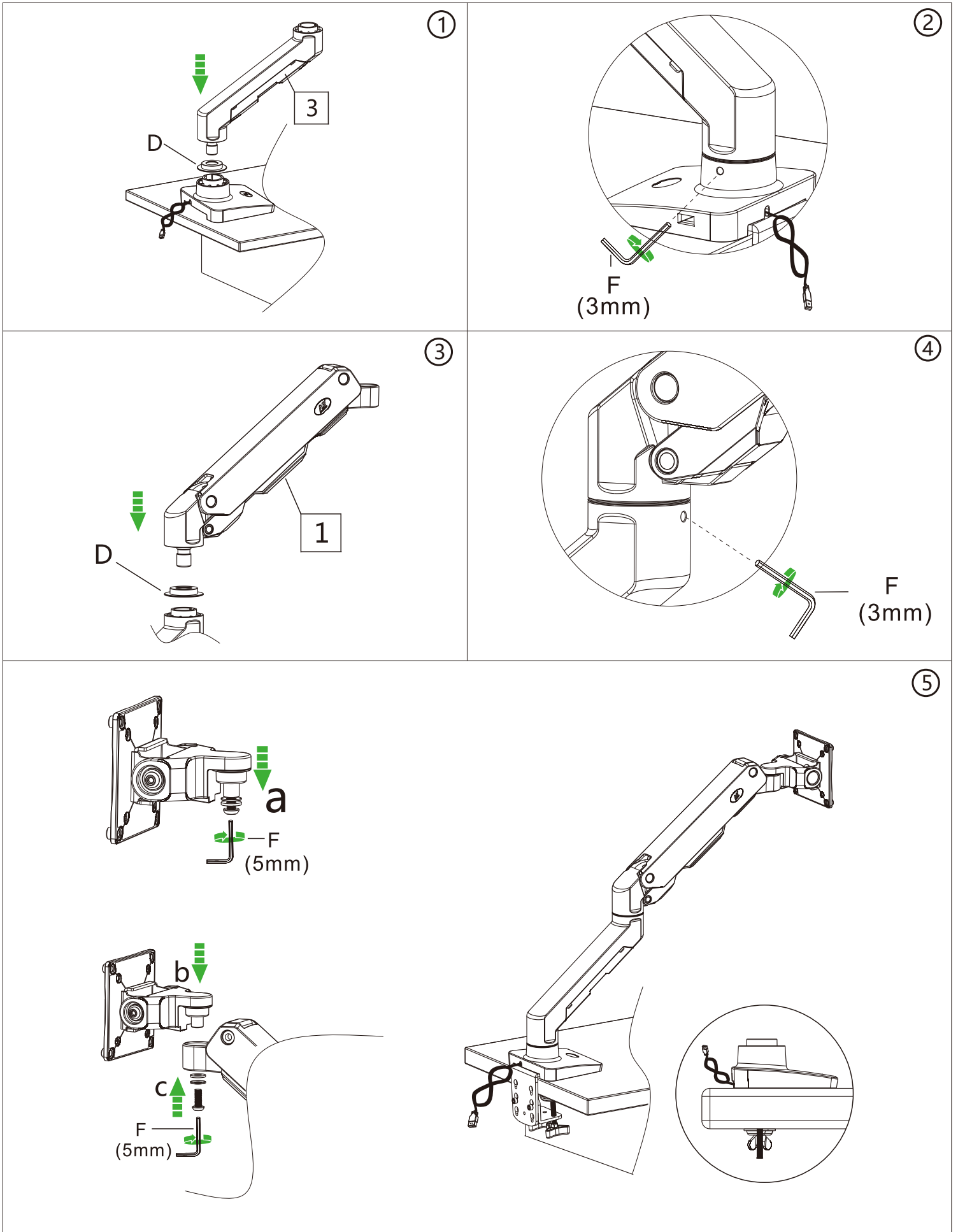


⑥



Ensure screws are secured firmly.

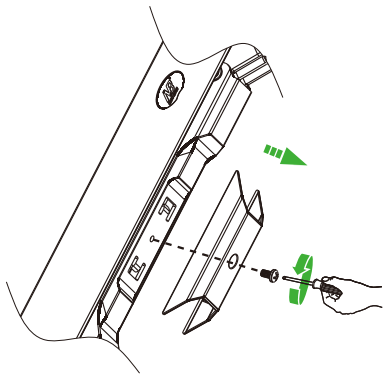
3.Arm Assembly



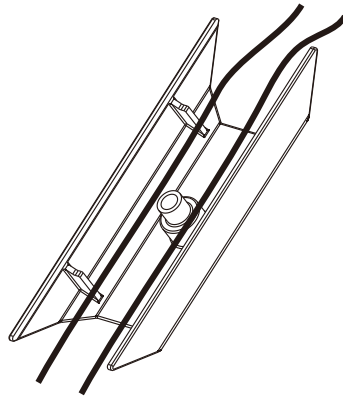
4. Power and Display Lines Installation

3.1

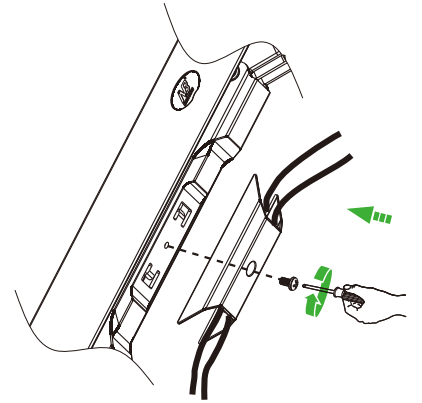
①



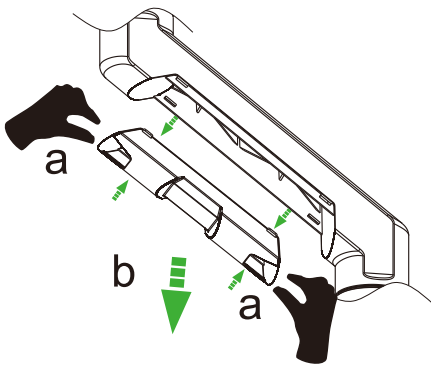
②



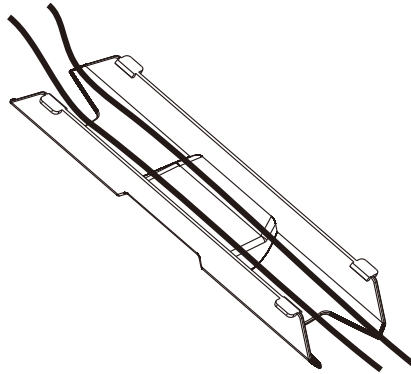
③



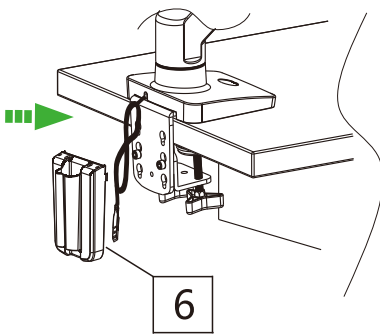
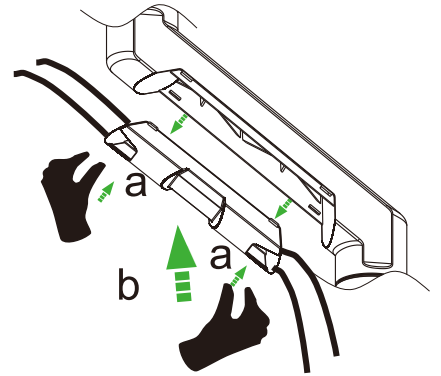
④



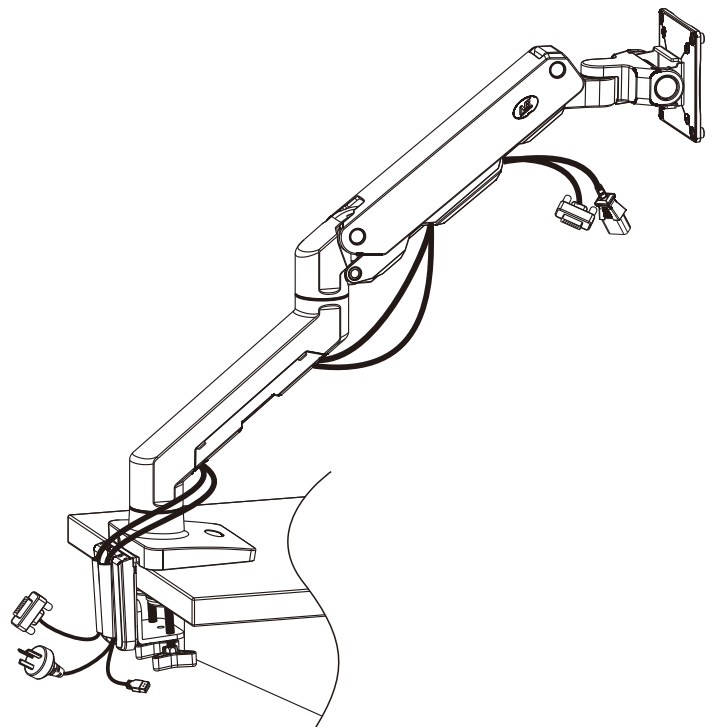
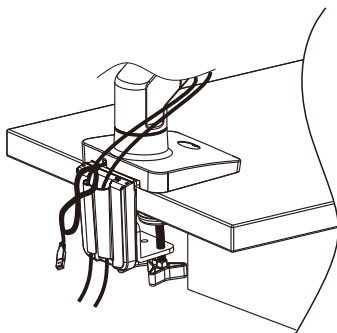
⑤



⑥

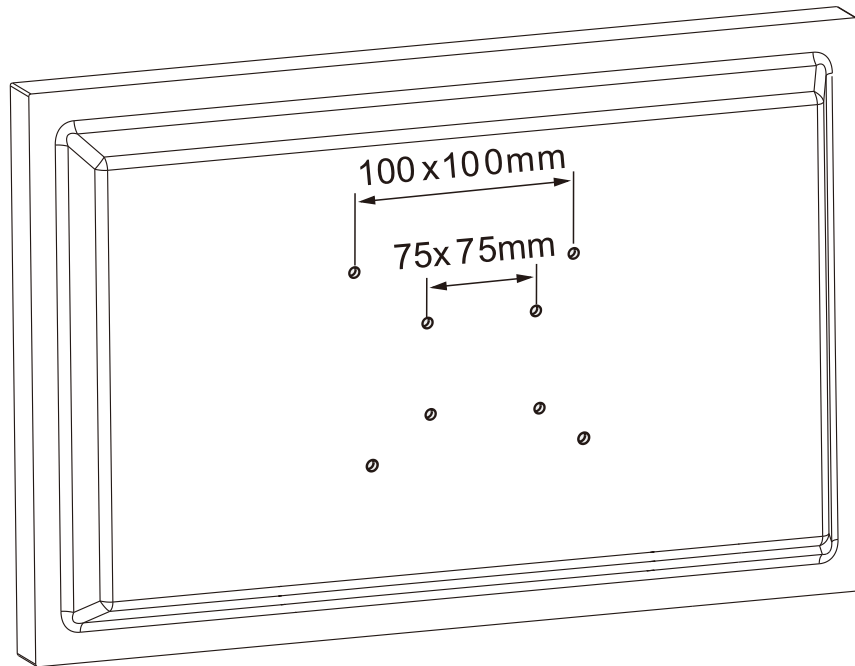


6

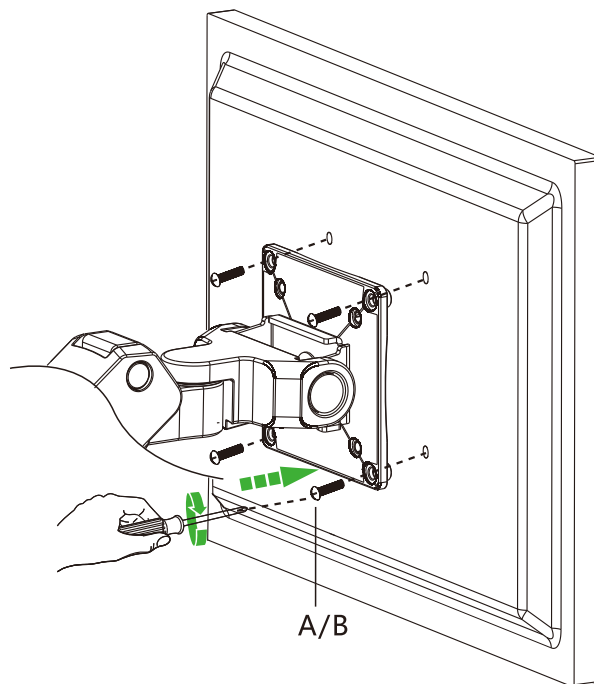
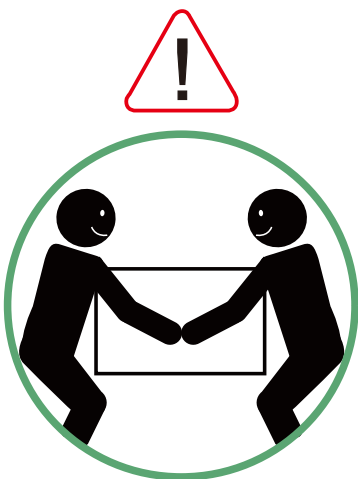


5.Display Installation

4.1



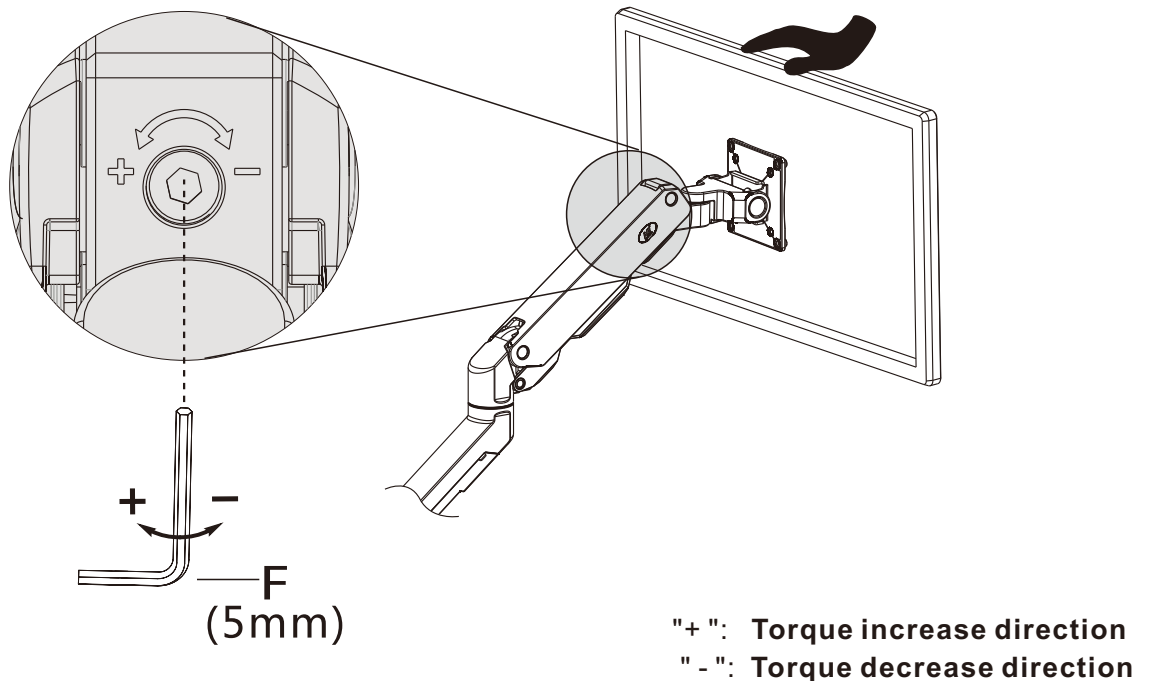
4.2




Ensure screws
are secured firmly.

6. Torque Adjustment

5.1



Note: Ensure display weight is within load range

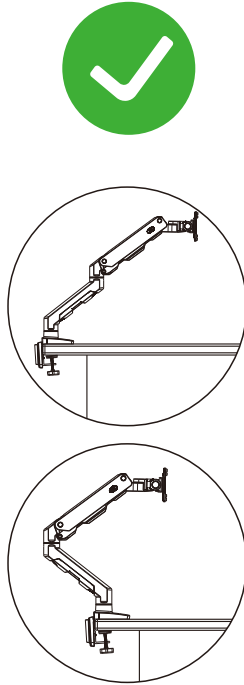
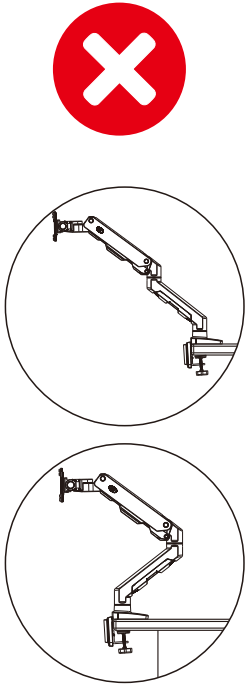
1. If display can be hovered at any height after display installed. No adjustment needed.
2. If display lifts up automatically after installation, adjust as follows: Wind the set screw to "-" direction to reduce torque by using F, 5mm Allen key, until display can be hovered at any desired position.
3. If display goes down automatically after installation, adjust as follows: Wind the set screw to "+" direction to increase torque by using F, 5mm Allen key, until display can be hovered at any desired position.

7. Rotation Restriction

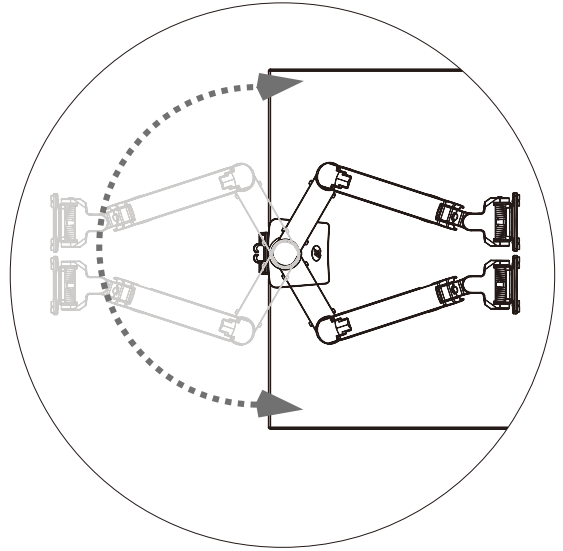
7.1

Non-proper usage directions

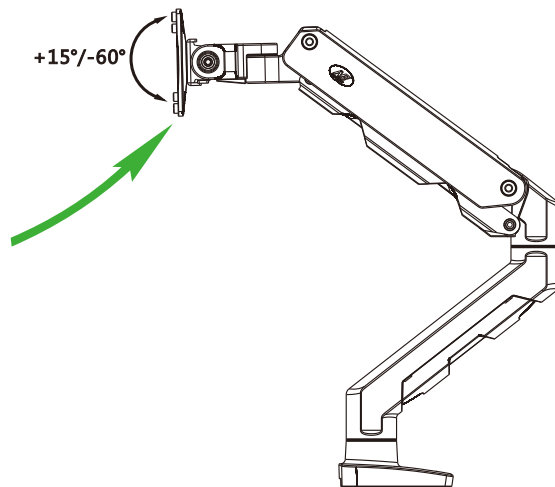
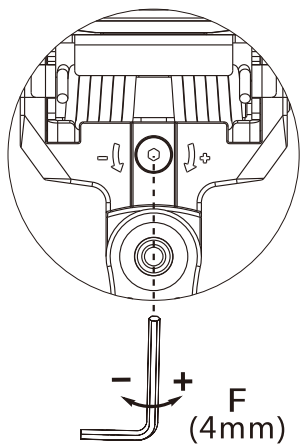
Proper usage directions



7.2



8. Display Adjustment





Kunshan Hongjie Electronics Co., Ltd.

1050, Fu Chun Jiang Road, Economic Development Zone, Kunshan City, Jiangsu Province, China. 215333

TEL: +86-512-57971777 FAX: +86-512-57970778

E-Mail: info@nbavmount.com www.new-nb.com

We reserve the right to modify or alter instructions.
No modification or alteration without formal notice.

N/W: 11.46LBS(5.2KG)
G/W: 13.66LBS(6.2KG)
Carton Size(WxHxD)
446x284x110mm
MADE IN CHINA

