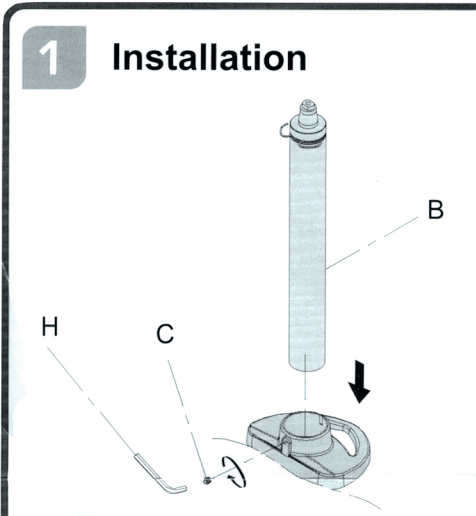
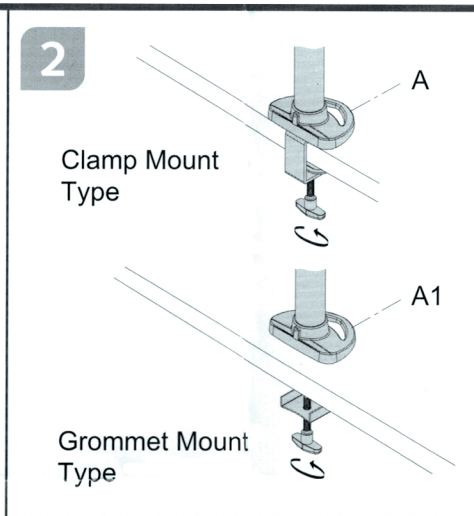


Parts	A	A1	B	C	D	D1
	Clamp Mount Type x1	Grommet Mount Type x1				
D2	E	F	G	H	I	J
						Option
x1	x1	x1	x4	x1	x1	x1

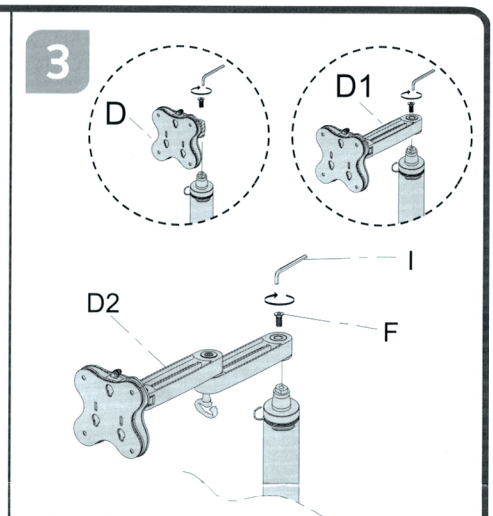
1 Installation



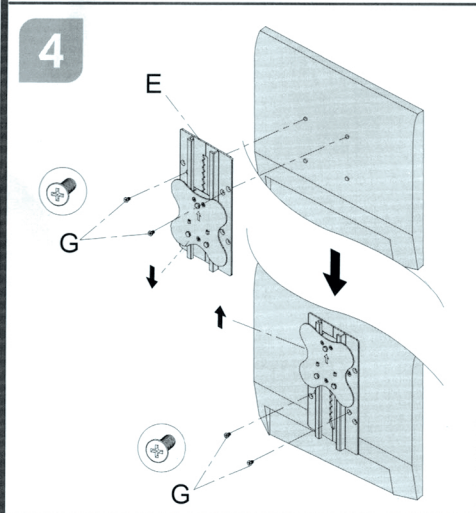
2



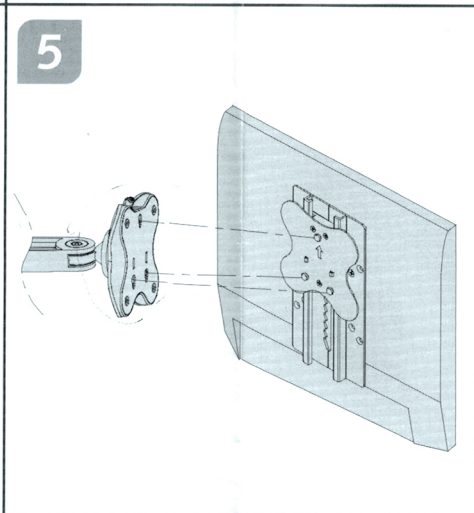
3



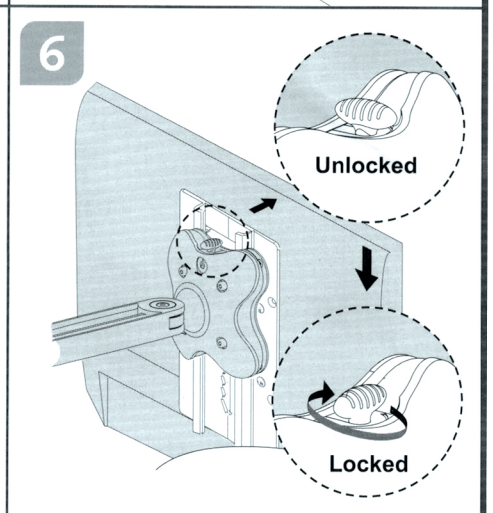
4



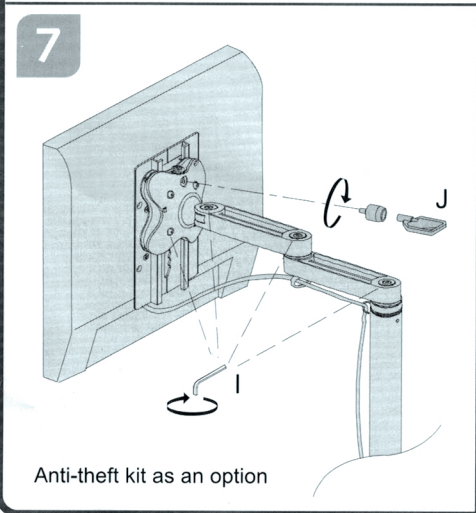
5



6

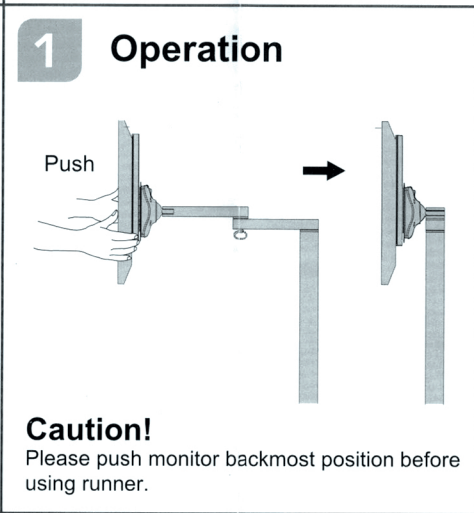


7



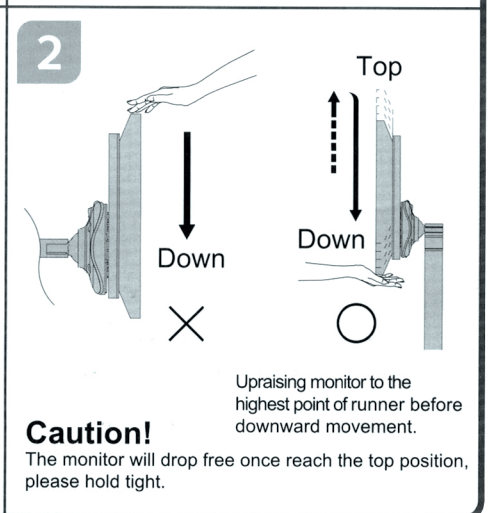
Anti-theft kit as an option

1 Operation



Caution!
Please push monitor backmost position before using runner.

2



Caution!
The monitor will drop free once reach the top position, please hold tight.