

**Product data sheet:
Electric height adjustable desk frame 501-37**

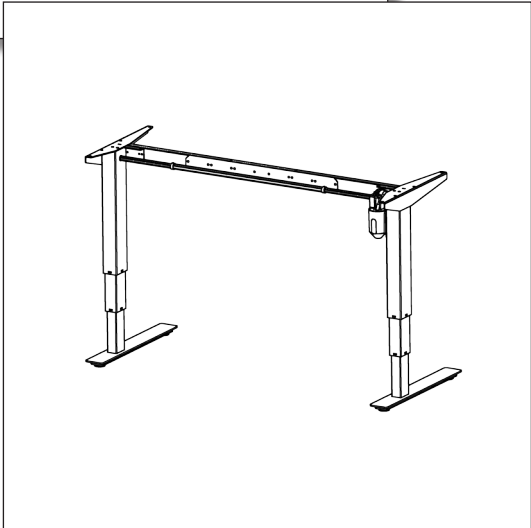
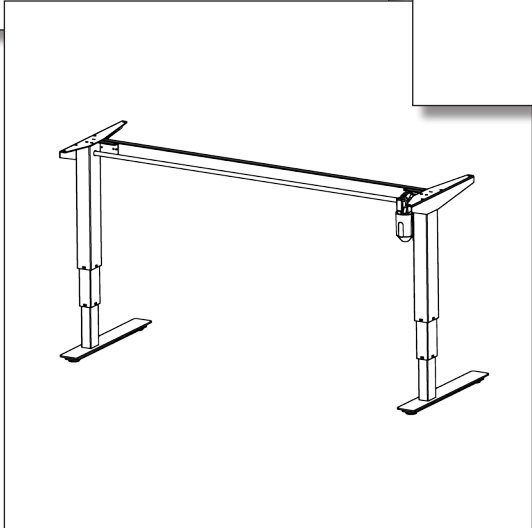
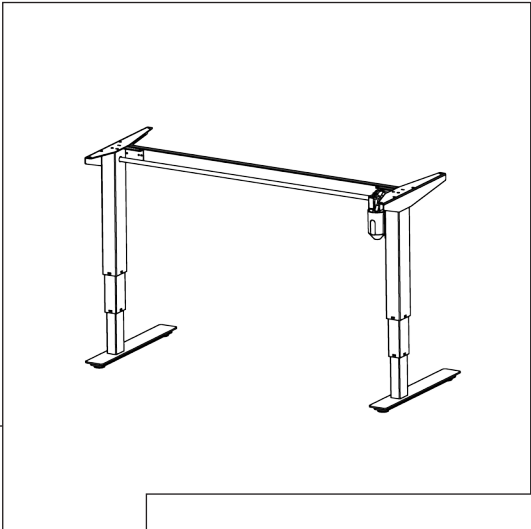
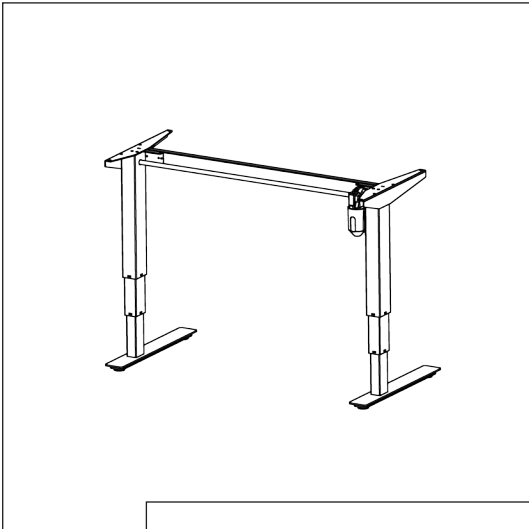


Table of contents

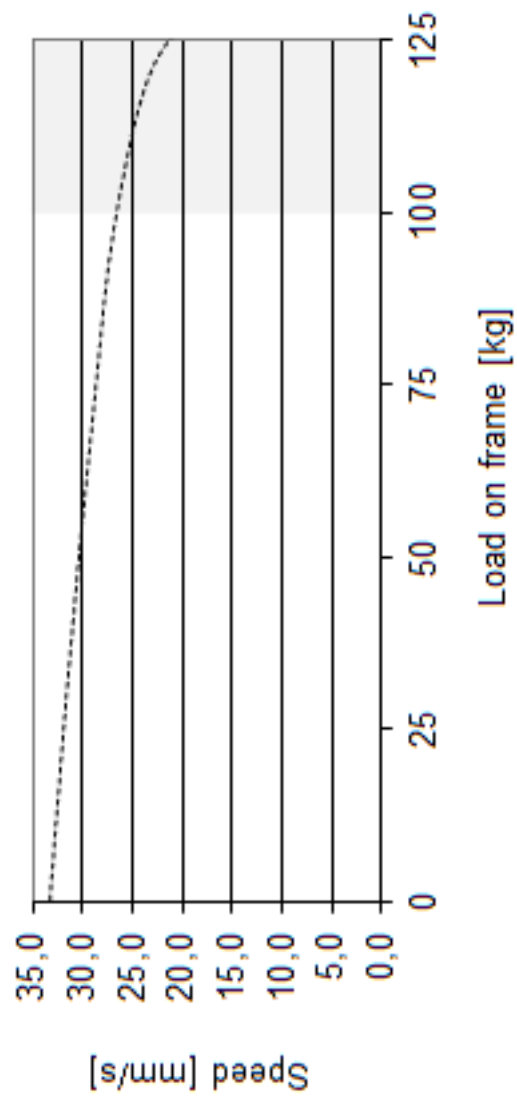
Packing details	3
Main measures and specifications	4
Load curve	5
Tabletop drillings	6
Assembly and use	7
Safety and tests	8
Component specifications	9

Packing details

501-37 - box measures				
Box of legs	501-37 XXXXX	WxDxH	595 x 600 x 160	[mm] 23-3/8" x 6-1/4" x 23-5/8" [inch]
Box of cross bars	SQ137690 (112)	LxWxH	1102 x 55 x 30	[mm] 43-3/8" x 2-1/8" x 1-1/8" [inch]
	SQ136480 (129)	LxWxH	1294 x 55 x 30	[mm] 51" x 2-1/8" x 1-1/8" [inch]
	SQ134460 (152)	LxWxH	1502 x 55 x 30	[mm] 59-1/8" x 2-1/8" x 1-1/8" [inch]
	SQ138890 (172)	LxWxH	1702 x 55 x 30	[mm] 67" x 2-1/8" x 1-1/8" [inch]
	SQ137800 (112-152)	LxWxH	664 x 77 x 73	[mm] 26-1/8" x 3" x 2-7/8" [inch]
501-37 - box weights				
Box of legs	501-37 XXXXX		20	[kg] 44 [lbs]
Box of cross bars	SQ137690 (112)		2,3	[kg] 5 [lbs]
	SQ136480 (129)		2,8	[kg] 6 [lbs]
	SQ134460 (152)		3,1	[kg] 7 [lbs]
	SQ138890 (172)		3,5	[kg] 7,5 [lbs]
	SQ137800 (112-152)		3,5	[kg] 8 [lbs]

DO NOT SCALE DRAWING	SHEET 4 OF 4	ConSet A/S		Industrialvej 23 Lindø, 8250 Skjern Denmark
UNLESS OTHERWISE SPECIFIED: DIMENSIONS ARE IN MILLIMETERS TOLERANCES: LINEAR: According to ANGULAR: DIN 7168-m	DRAWN	NAME	DATE	TITLE: Box components, 501-37 series
	CHECKED	jo	29-04-2016	
PROPRIETARY AND CONFIDENTIAL THE INFORMATION CONTAINED IN THIS DRAWING IS THE SOLE PROPERTY OF CONSET A/S. ANY REPRODUCTION IN PART OR AS A WHOLE WITHOUT THE WRITTEN PERMISSION OF CONSET A/S IS PROHIBITED.	Processes:			DWG NO. 140760
	WEIGHT:			REVISION 0

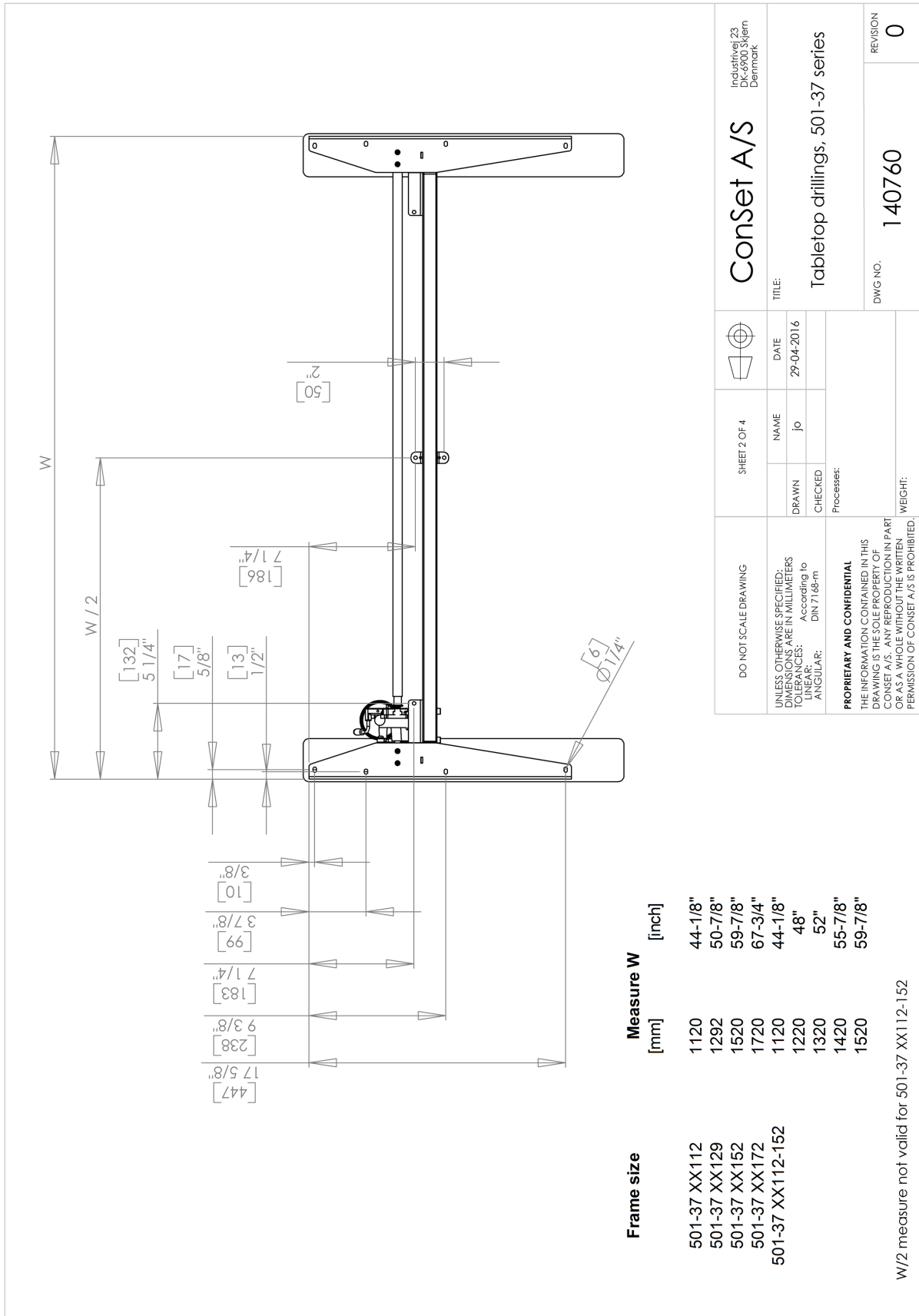
Load curve



"Duty cycle: 10 % by 50 % of max. working load on frame or max. 2 min. continuously"

"Above curve applies to a centrally placed load and is only valid in respect of duty cycle: 10 % by 50 % of max. working load or max. 2 min. continuously. Above specifications may vary depending on local temperature, humidity and input voltage."

Tabletop drillings



DO NOT SCALE DRAWING	SHEET 2 OF 4	INDUSTRIJVEJ 23 DK-6000 SJERN DENMARK
UNLESS OTHERWISE SPECIFIED: DIMENSIONS ARE IN MILLIMETERS TOLERANCES: LINEAR: According to ANGULAR: DIN 7168-m	DRAWN jo	ConSet A/S
DATE 29-04-2016	CHECKED	TITLE: Tabletop drillings, 501-37 series
PROCESSES:	REVISION 0	DWG NO. 140760
PROPRIETARY AND CONFIDENTIAL THE INFORMATION CONTAINED IN THIS DRAWING IS THE SOLE PROPERTY OF CONSET A/S. ANY REPRODUCTION IN PART OR AS A WHOLE WITHOUT THE WRITTEN PERMISSION OF CONSET A/S IS PROHIBITED.	WEIGHT:	

Assembly and use

Along with all products a "Direction for assembly and use" is delivered. In this you will find a detailed description of the way of assembly.



After the frame has been mounted the chosen tabletop is mounted and the operation unit will be possible to fix at the bottom side of the table top. This operation unit has a rocker switch.

With the rocker switch it is possible to move the tabletop up and down and can be stopped at all levels.



Safety and tests

All ConSet sit and stand desk frames meet the necessary requirements within the following relevant categories:

- ANSI/BIFMA x5.5-2014 tested and approved

Declaration of conformity

We hereby declare, under our sole responsibility that the following product:

- ConSet sit and stand table product type **501-37**

is in accordance with:

- Directive 2006/42/EF of The European Parliament and of the Council of 17 May 2006 on machinery and on changes of directive 95/16/EF

With reference to the above please be aware that:

- the sit and stand table is considered a machine and
- the sit and stand table may not be used until it has been assembled and installed according to the instructions.

Component specifications

Metal sheet parts:	St 37-2
Gear parts:	St 70-2
Gear motor:	CS no. 134550
Power supply:	80 W AC Power Transformer Input 100-240 VAC ~ 50/60 Hz
Standby:	Less than 0,5 Watt
Plastic components:	POM, PE-HD, ABS
Surface treatment:	Visible metal parts powder coated in "alu" colour, silver RAL9006, white RAL9016 and black RAL9004. Non visible metal parts are surface treated (e.g.plated)