

AB2

The AudioBasics Series speaker mounts provide flexible and reliable mounting options for small surround sound systems – all in a low-cost solution. The AB2 provides convenience and versatility for mounting medium bookshelf speakers up to 8 lbs (3,6 kg).



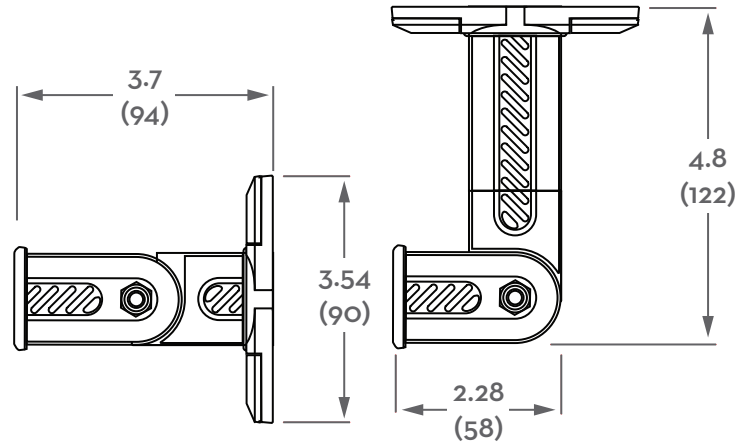
PRODUCT SPECIFICATIONS*

- Fits most:** Medium bookshelf speakers
- Supports up to:** 8 lbs (3,6 kg)
- Tilt:** +/- 30°
- Pan:** 180°
- Base Rotation:** 360°
- Color:** Black

PRODUCT BENEFITS*

- Mount on wall or ceiling
- Injection molded, glass reinforced nylon
- Suitable for all weather conditions
- Includes two extensions that create three different lengths
- Includes complete hardware kit

*Subject to change



inches (mm)

	UPC	Dimensions WxDxH inches (mm)	Wt lbs (kg)	Qty
Packaging	698833038392	7 x 1.9 x 10.8 (178x48x273)	0.6 (0,3)	--
Master Carton	10698833038399	7.9 x 12 x 7.5 (200x305x191)	3.1 (1,4)	4

Box Contents	Qty
Mounting plate	1
Screw cover	2
Extension	2
Adjusting knuckle	1

Box Contents	Qty
Speaker plate	1
Complete hardware kit	1
Instruction manual	1