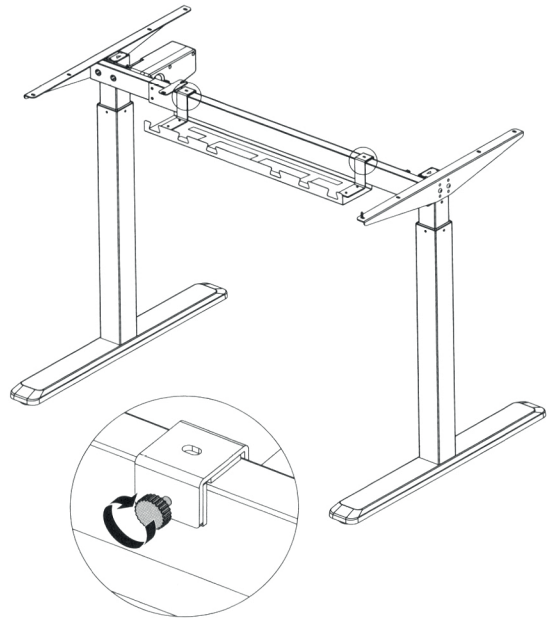
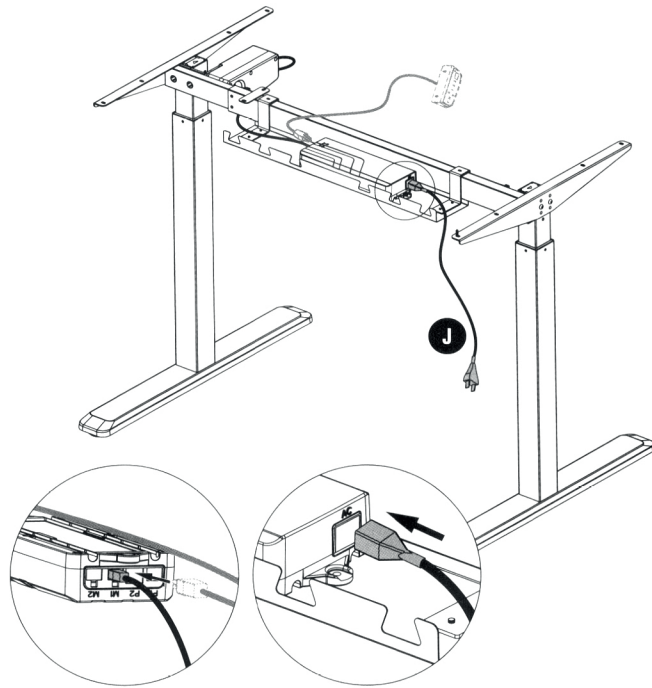
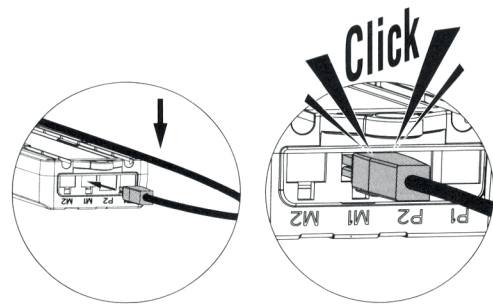
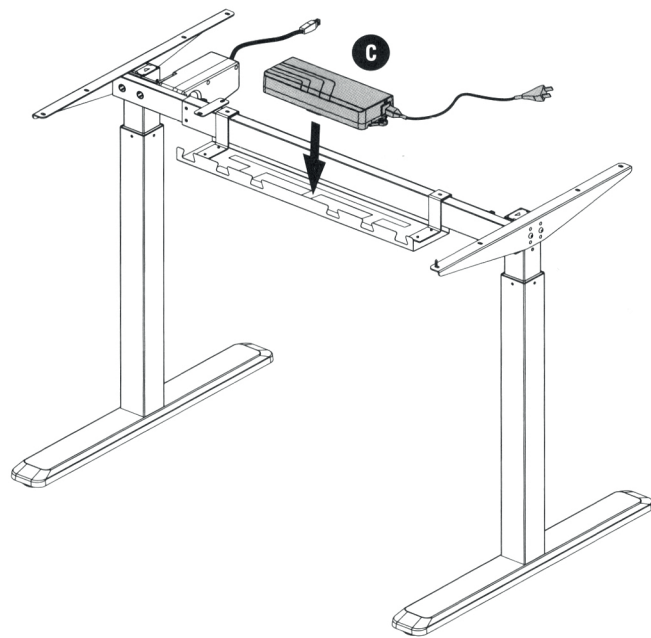


• Tighten all the screws on the hooks.



6 Connecting the Cables

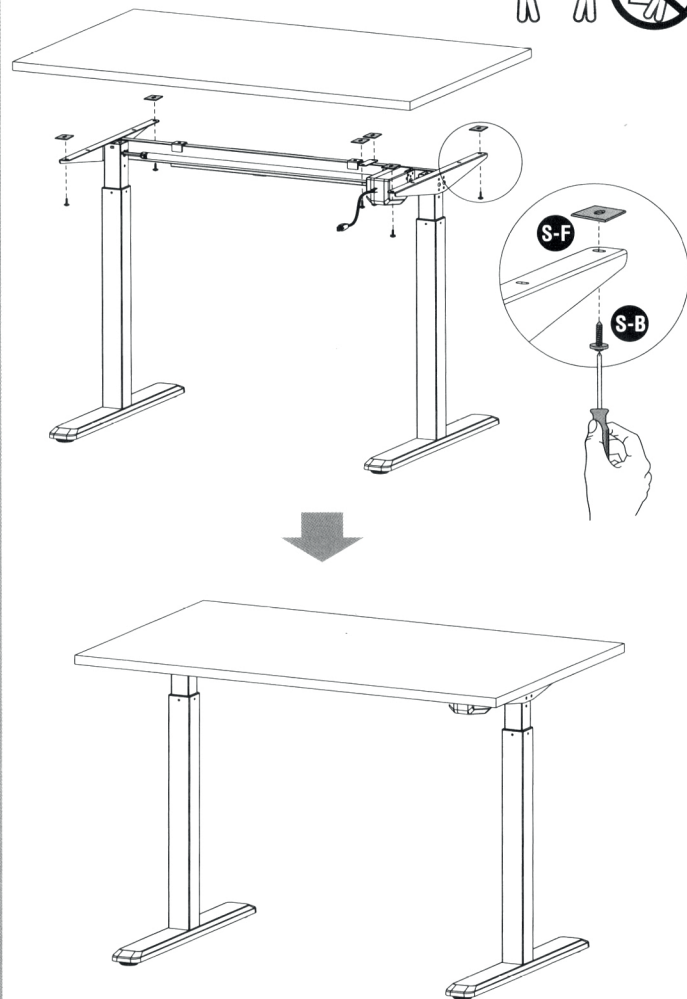
• Connect the wires to the control unit.



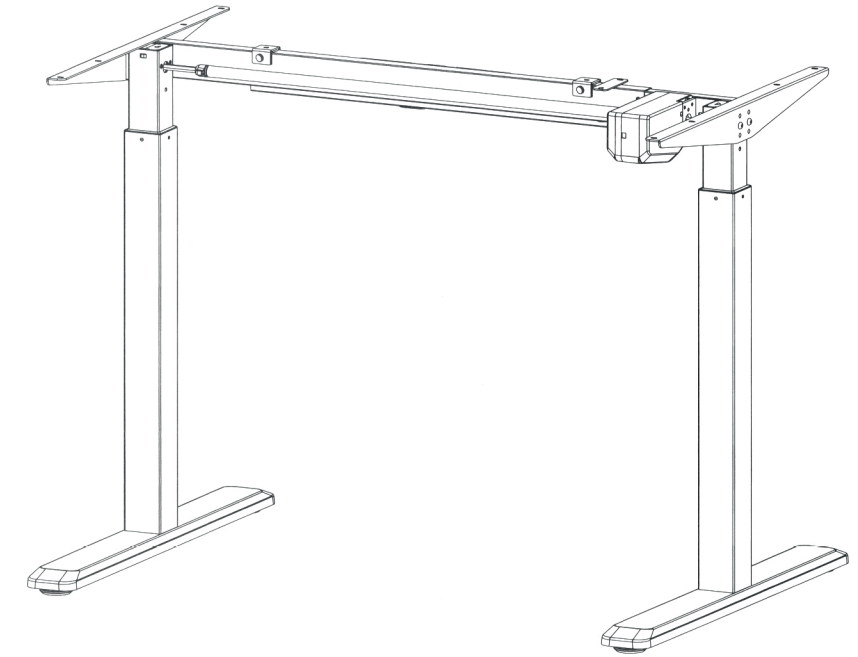
Note: Keep all cables organized.

7 Installing the Desktop

- Remove the protective film from the adhesive rubber pads.
- Position the rubber pads on the side brackets as shown.
- Place the desktop on the frame and insert the desktop mounting screws.
- Tighten all screws.



BSSD-10-17S-22 B/G/W



WARNING: FAILURE TO COMPLY WITH OR OBSERVE ALL ASSEMBLY, SAFETY AND OPERATION INSTRUCTIONS AND WARNINGS REGARDING THE USE OF THIS PRODUCT MAY RESULT IN SERIOUS BODILY INJURY.

Important information

Read the entire instruction manual before you start installation and assembly.

This product is not intended for use by young children without supervision.

This product contains small items that could be a choking hazard if swallowed. Keep these items away from children.

This product is intended for indoor use only. Using this product outdoors could lead to product failure and personal injury.

This product can be used by children from 8 years old (supervised) to Adult. Users with disabilities or lack of experience and operating knowledge should be supervised and given careful instruction prior to using this product. The desktop should never be sat on and children should be prohibited from having unsupervised contact with the product.

Cleaning and user maintenance shall not be made by children without supervision.

If the supply cord is damaged, it must be replaced by the manufacturer, its service agent or a similarly qualified person in order to avoid a hazard.

IMPORTANT: Ensure that you have received all parts according to the component checklist prior to installation. If any parts are missing or faulty, telephone your local distributor for a replacement.

QUICK TIP: DO NOT overtighten screws during installation.

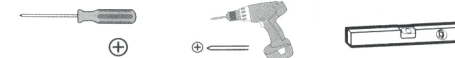
CAUTION:

- Please place the product away from corrosive gas, water and dusty environment.
- Please do not disassemble all the components, otherwise, it will be seen as the withdrawn of the warranty service.

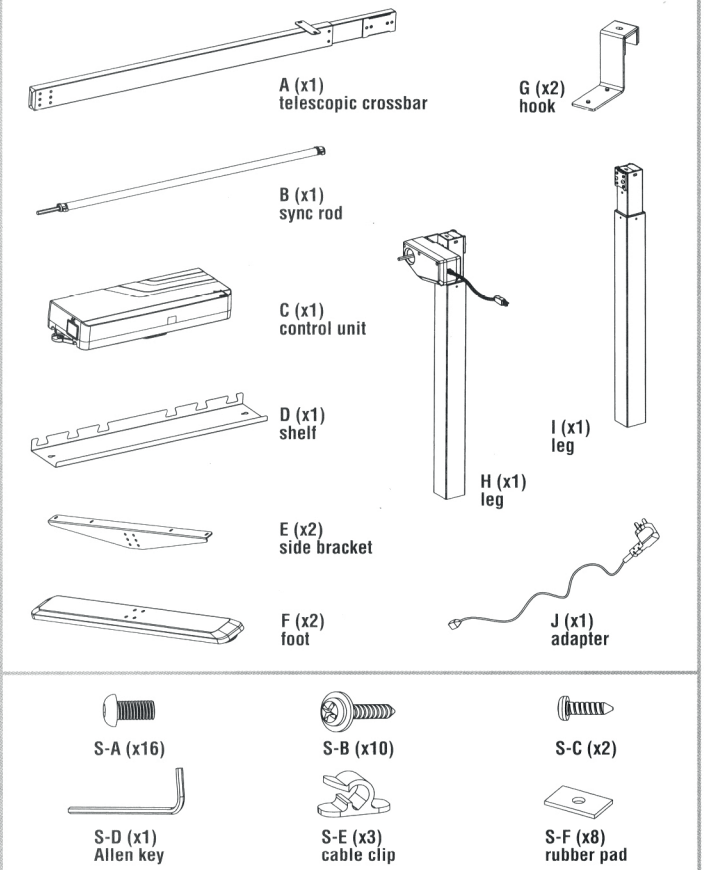
Disposal:

This marking indicates that this product should not be disposed with other household wastes throughout the EU. To prevent possible harm to the environment or human health from uncontrolled waste disposal, recycle it responsibly to promote the sustainable reuse of material resources. To return your used device, please use the return and collection systems or contact the retailer where the product was purchased. They can take this product for environmental safe recycling.

Tools Needed

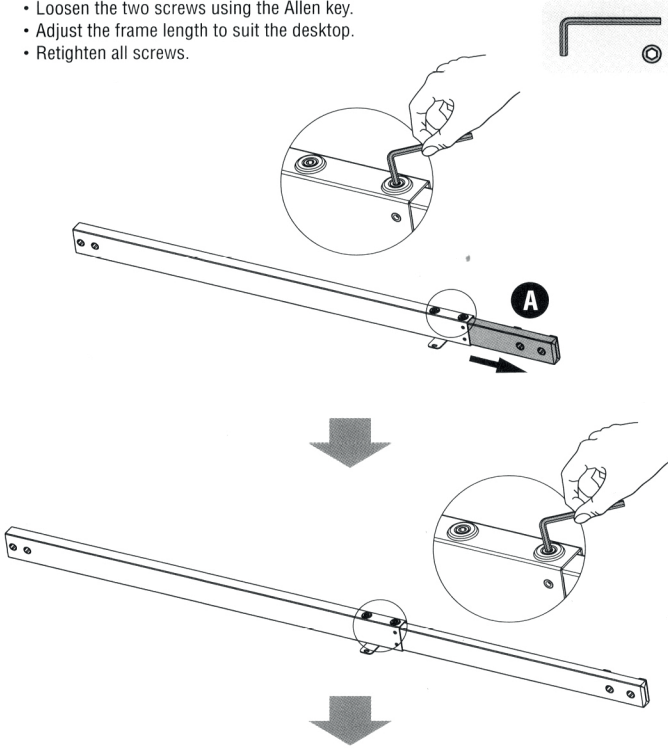


Component Checklist

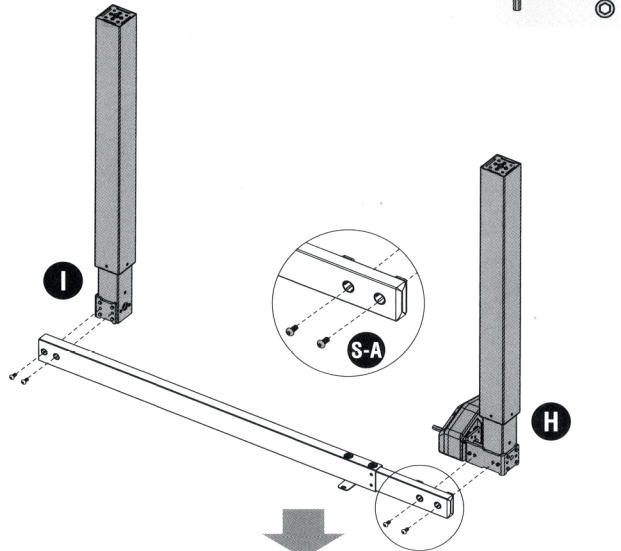


1 Assembling the Frame

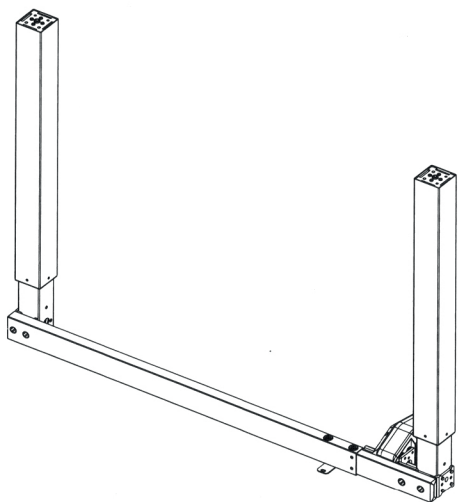
- Loosen the two screws using the Allen key.
- Adjust the frame length to suit the desktop.
- Retighten all screws.



- Attach the telescopic crossbar to the legs as shown using the screws identified in the illustration.

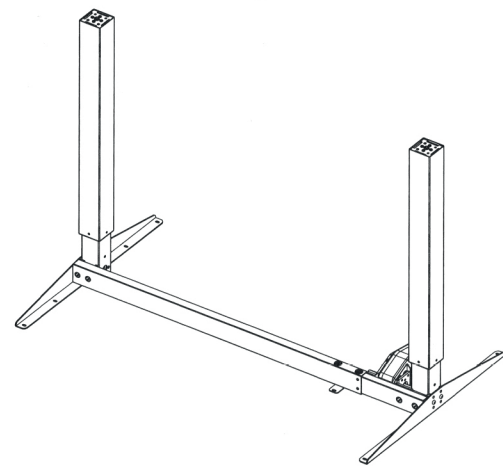
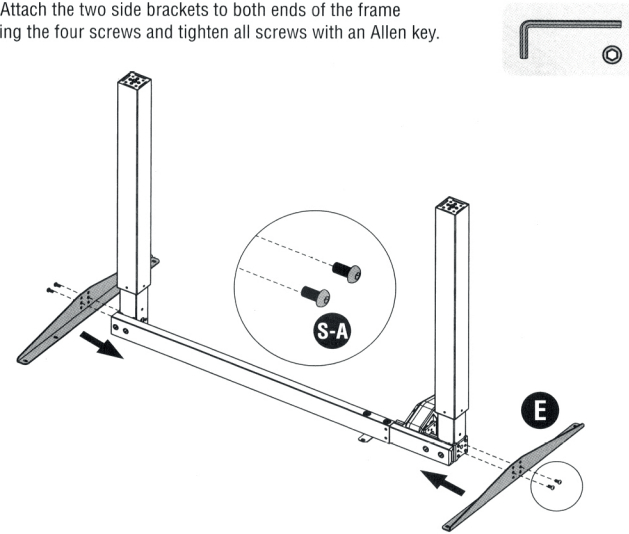


- Tighten all screws with a proper screwdriver.



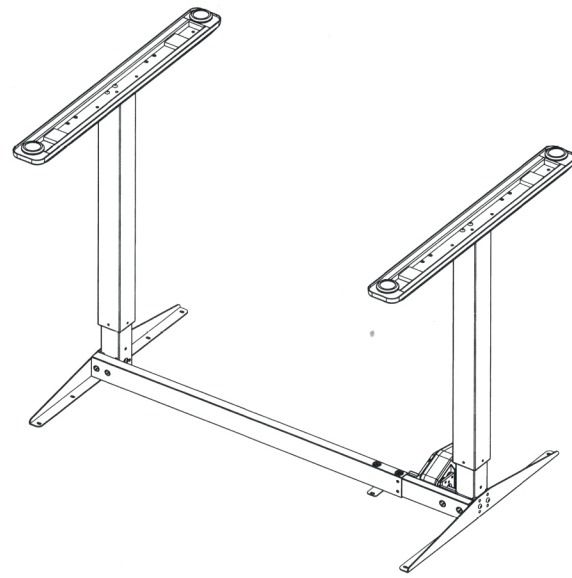
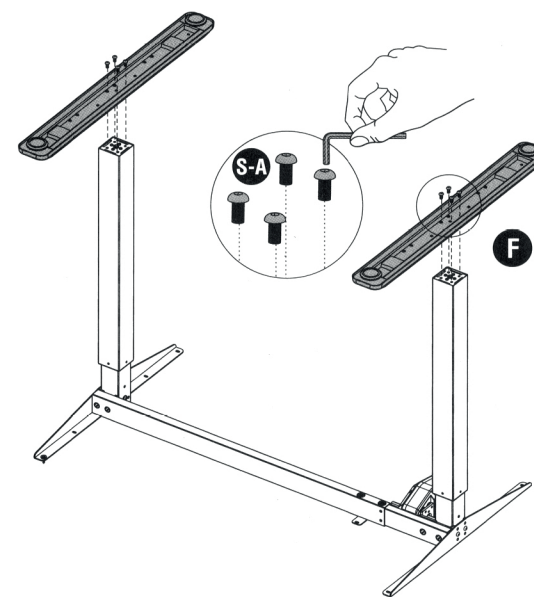
2 Installing the Side Brackets

- Attach the two side brackets to both ends of the frame using the four screws and tighten all screws with an Allen key.



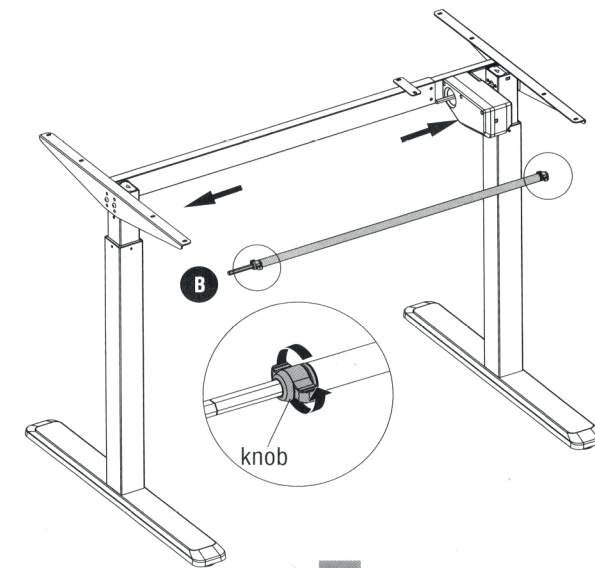
3 Installing the Feet

- With the frame upside down, place the feet on the legs as shown.
- Insert the screws as shown and fix them under the desk legs.

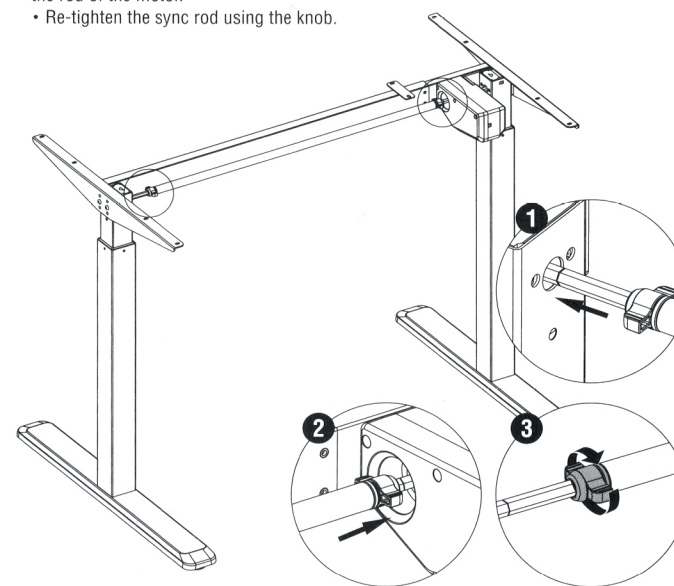


4 Installing the Sync Rod

- With the frame positioned upright, turn the knob as shown counterclockwise to loosen the sync rod.
- Adjust the sync rod to match the frame's width then.

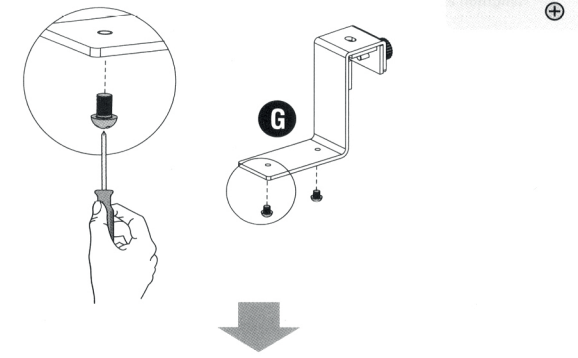


- Notice: Match the red line on the sync rod with the right side of left leg. Match the right side of the right knob of the sync rod with the red line on the rod of the motor.
- Re-tighten the sync rod using the knob.

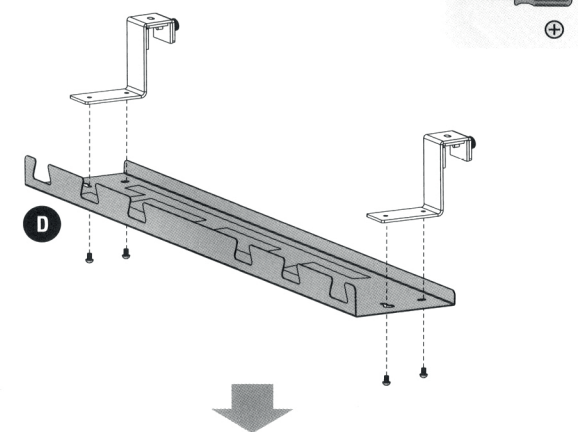


5 Installing the Shelf

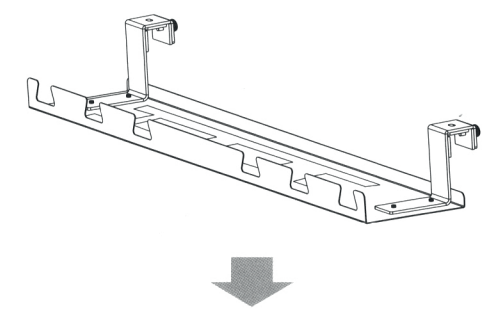
- Loosen and remove the screws with a proper screwdriver.



- Fix the hooks to the shelf with the previously removed screws.



- Tighten the screws.



- Hang the shelf onto the center part of the telescopic crossbar.

