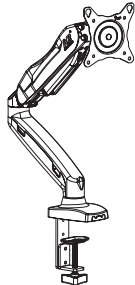




## Flexi Full Motion Desk Mount



**F80**

**Flexi Full Motion Desk Mount**  
**Fits Most Monitors Size: 17"-27"**  
**Max Load: 4.4~14.3lbs (2~6.5kg)**  
**VESA: 75 x 75, 100 x 100mm**

- Severe personal injury and property damage can result from improper installation or assembly. Read the following warning carefully before beginning.
- Products must be installed by professional or installer.
  - If you do not understand the instructions or have any concerns or questions, please contact a qualified local installer.
  - Do not install or assemble if the product or hardware is damaged or missing, if you require replacement parts, please contact your local distributor for assistance.
  - This product fits most 17"-27" LCD / monitor; maximum weight of LCD / monitor: 6.5kg / 14.3lbs.
  - Installer-friendly and straight forward.
  - For safe installation, the desk you are mounting to must support minimum 3 times the weight of the total load (the mount, the monitor and all accessories weight).
  - Do not use this product for other than the original designed.
  - This product contain moving parts, please use with caution.
  - When installing monitor, please do not damage electrical wiring or power source.
  - Installation and routing of monitor cables on the monitor bracket must comply with electro-technical regulations.
  - Importantly, mains- and data-cables must be secured against twisting and squeezing or shearing.
  - The manufacturer will bear no responsibility to the desk of mounting, or incidental or consequential damages arising thereof.
  - The manufacturer disclaims any liability for the modifications, improper installation, or installation over the specified weight range. The manufacturer will not be liable for any damages arising out of the use of, or inability to use, the product.
  - This product is designed for indoor used only, use of this product outdoor could lead to product failer and severe personal injury.
  - ▲ This product contains a high pressure gas spring, fire and percussion prohibited. Also it is strictly prohibited to dismantle without professionals. Please return to the manufacturer or hand over to professional agencies if the product is abandoned. In order to ensure the performance of gas spring, full direction adjustment of the product arm is recommended several times per month.

We reserve the right to modify or alter instructions. No modification or alteration without formal notice.

### Symbols

	Tightening Direction		+ :Torque increased - :Torque reduced
	拧紧方向		+ 定点恒力加大 - 定点恒力减小
	loosening Direction		+ :Torque increased - :Torque reduced
	拧松方向		+ 定点恒力加大 - 定点恒力减小
	Phillips Screwdriver		By Hand
	螺丝起子		手工
	Open-End Wrench		Hex Wrench
	开口扳手		六角扳手
	Adjustment		Pencil
	调整		铅笔
	Optional		Hand Drill
	可选		手电钻
	Remove		Star Wrench
	移开		安全扳手

### F80 Installation Manual

**Install mount at table edge  
or  
Install mount on desk.**

**Part list**

(M4x25)-4pcs	(M5x25)-4pcs	(M6x15)-3pcs
(Φ10xΦ5.2x1.5)-4pcs		(10mm)
	(Φ8xΦ5x11)-4pcs	(4mm)
		(5mm)

### A1. Install mount at table edge:

**Step 1**

**Warning:** Ensure screws are secured firmly.

**Step 2**

**Step 3**

**Warning:** Ensure screws are secured firmly.

### Full motion after full installation(Table edge)

220° 360° 360° +35° /-50°  
180° 250mm  
0~100mm(max)  
Max Load:4.4~14.3lbs (2~6.5kg)

### A2. Install on desk:

**Step 1**

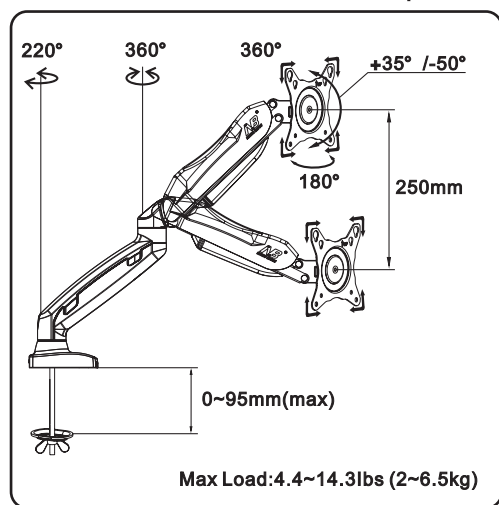
**Warning:** Ensure screws are secured firmly.

**Step 2**

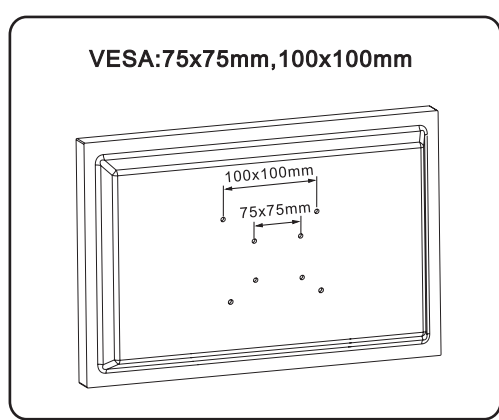
**Step 3**

**Warning:** Ensure screws are secured firmly.

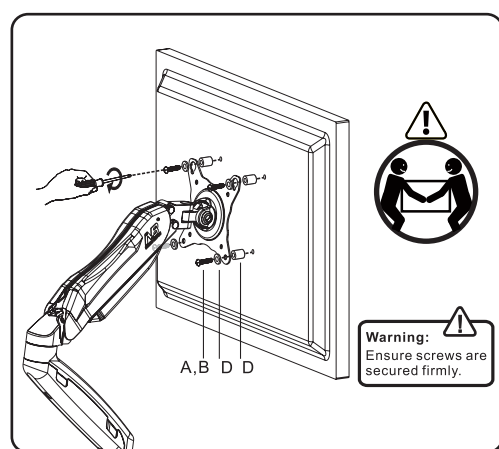
**Full motion after full installation(Desk top)**



**C、 Monitor installation**

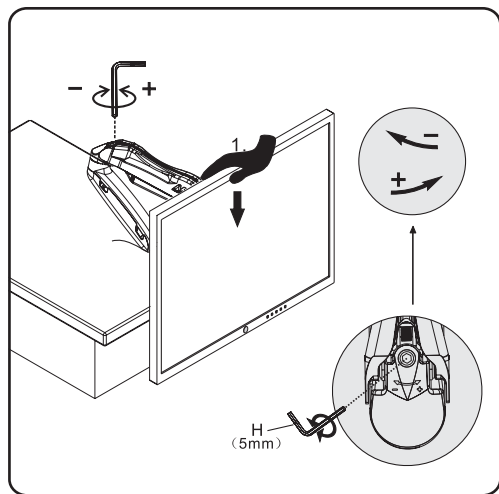


**D、 Mounting monitor onto mount**

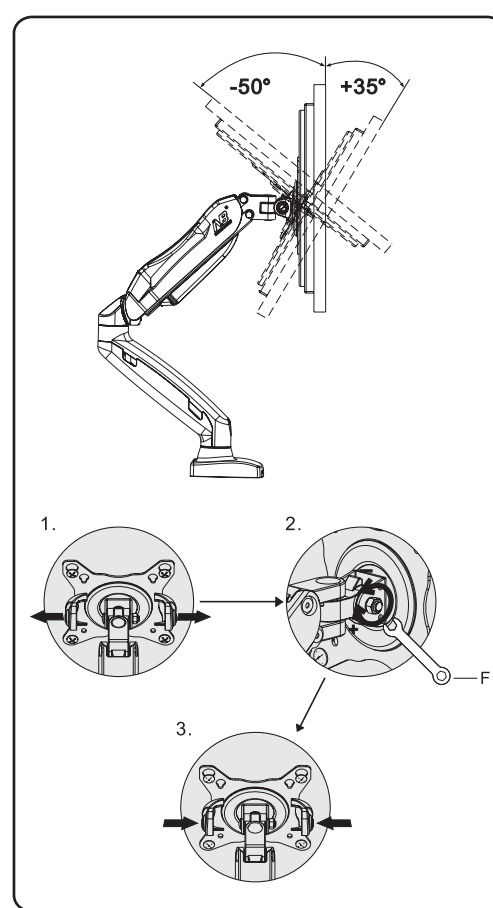


**E、 Setting static position**

+ :Torque increased, - :Torque reduced.

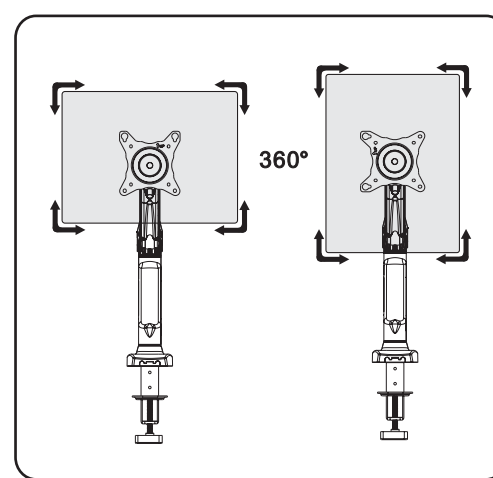


**F、 Setting tilt angle position**

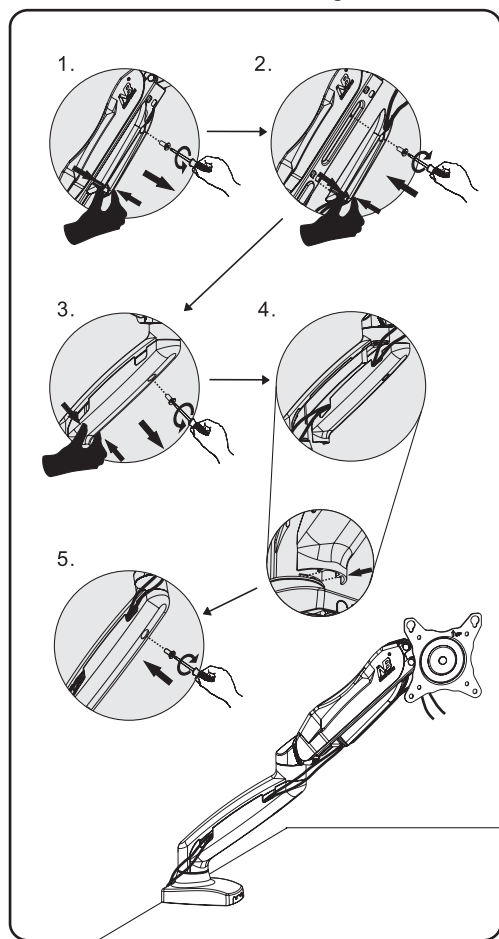


**G、 Full 360° monitor rotation**

Please beware of unbalance displays gravity during displays installation to mount.



**B、 AV cables and wires routing**



**TENSION ADJUSTMENT AFTER WALL MOUNT INSTALLATION**



Do not adjust tension without putting on TV.

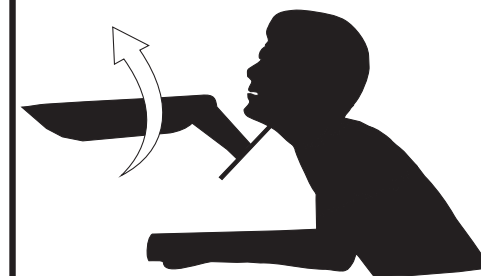
- 1.Ensure TV has been put onto mount.
- 2.Read your TV packaging or manual to find out TV net weight.
- 3.Ensure TV net weight between 5.5~15.4lbs(2.5~7kg)

Adjustment sign



Anti-clockwise reduce tension(carry less weight) clockwise to increase tension(carry more weight)

**Warning!**



**NB**<sup>®</sup>  
NORTH BAYOU

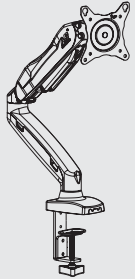
[www.nbavmount.com](http://www.nbavmount.com)

Add:58, South of Xinxing Road,  
Economic Development Zone,  
Kunshan City, Jiangsu Province, China.  
215333.

TEL: 86-512-57971777  
FAX: 86-512-57970776



**桌面型多功能显示器支架安装说明**



**F80**

适用于显示器:17"-27"  
承重范围:4.4~14.3lbs (2~6.5kg)  
适合的VESA孔位:  
75 x 75, 100 x 100mm

警告! 如果细装或安装不当, 这可能导致人员受伤、死亡或财产损失。请您在细装或安装前, 先仔细阅读下列警告信息。

- 必须由专业人员安装产品。
- 如果您不理解说明或者遇到任何疑问或问题, 请与具备资格的当地安装人员联系。
- 如果产品或配件受损或缺失, 请不要细装或安装。如果您需要替换零件或其他, 请联系当地的经销商以获取帮助。
- 此产品适用于17"-27"液晶显示器/等离子屏, 最大承重不能超过6.5kg / 14.3lbs。
- 此产品适用于桌面使用, 其特点: 方便、简洁、易拆卸。
- 为确保安全安装, 用于安装产品的桌面能承受相当于总荷载的3倍重量(支架、显示器及其配件)。
- 除了产品本身设计的用途外, 请不要将此产品用于其他领域。
- 此产品设计包含滑动部件, 为了安全, 请小心使用。
- 当安装显示器时, 请注意电源电线不要被损坏。
- 安装和电线的布线的监控显示器上的安装必须符合技术规范。
- 重要的是, 电源和数据电缆必须设有防扭曲和压缩或剪切。
- 厂商不对由于不负重或意外造成桌面的损坏负责。
- 厂商在此声明, 对于以下情况所造成的损毁或损伤不承担任何法律责任: 对产品自行改造或安装不当, 或安装超过此产品所注明的最大承重, 或使用不当, 或因使用而造成此产品磨损或损坏。
- ▲ 本产品内含高压气弹簧, 因此在安装、使用过程中严禁火烤和敲击, 没有专业人士的情况下, 严禁私自拆解! 若产品报废请退回原厂或交于专业机构处理, 为保证气弹簧的性能, 建议您对本产品的手臂每月进行多次的全行程调节。

修改和变更的权利属于我公司, 在没有我公司正式通知时, 请不要修改和变更安装说明。

**说明:**

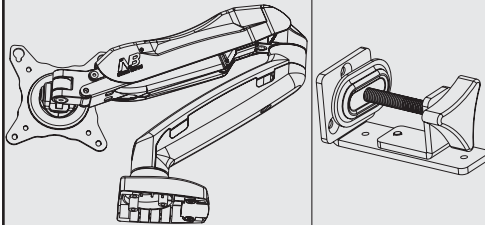
	Tightening Direction		+ : Torque increased - : Torque reduced
	拧紧方向		+ 定点恒力加大 - 定点恒力减小
	loosening Direction		+ : Torque increased - : Torque reduced
	拧松方向		+ 定点恒力加大 - 定点恒力减小
	Phillips Screwdriver		By Hand
	螺丝起子		手工
	Open-End Wrench		Hex Wrench
	开口扳手		六角扳手
	Adjustment		Pencil
	调整		铅笔
<b>OPT</b>	Optional		Hand Drill
	可选		手电钻
<b>X</b>	Remove		Star Wrench
	移开		安全扳手

**F80 组装与安装说明**

支架安装方式分为:  
桌边式  
桌面孔式两种。

**!** 请根据您的实际情况选择安装!

**零件**



<b>A</b>  (M4x25)-4pcs	<b>B</b>  (M5x25)-4pcs	<b>C</b>  (M6x15)-3pcs
<b>D</b>  (Φ10xΦ5.2x1.5)-4pcs	<b>E</b>  (Φ8xΦ5x11)-4pcs	<b>F</b>  (10mm)
<b>G</b> 	<b>H</b>  (4mm)	<b>I</b>  (5mm)

**A1、桌边孔的安装方式:**

**步骤 1**

**警告:** 一定要把螺丝锁紧。

注: 上下夹板之间的距离请根据您的桌子的厚度适当调节。

**步骤 2**

**警告:** 一定要把螺丝锁紧。

**步骤 3**

**警告:** 一定要把螺丝锁紧。

**组装后整体支架可调范围(桌边)**

220° 360° 360° +35° /-50° 180° 250mm

0~100mm(最大)

承重范围:4.4~14.3lbs (2~6.5kg)

**A2、桌面孔安装方式:**

**步骤 1**

**警告:** 一定要把螺丝锁紧。

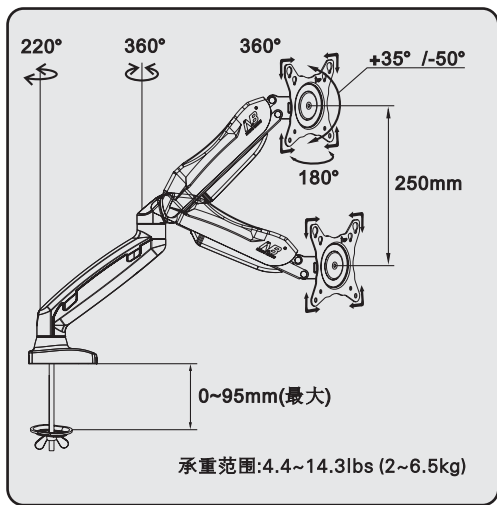
**步骤 2**

**警告:** 一定要把螺丝锁紧。

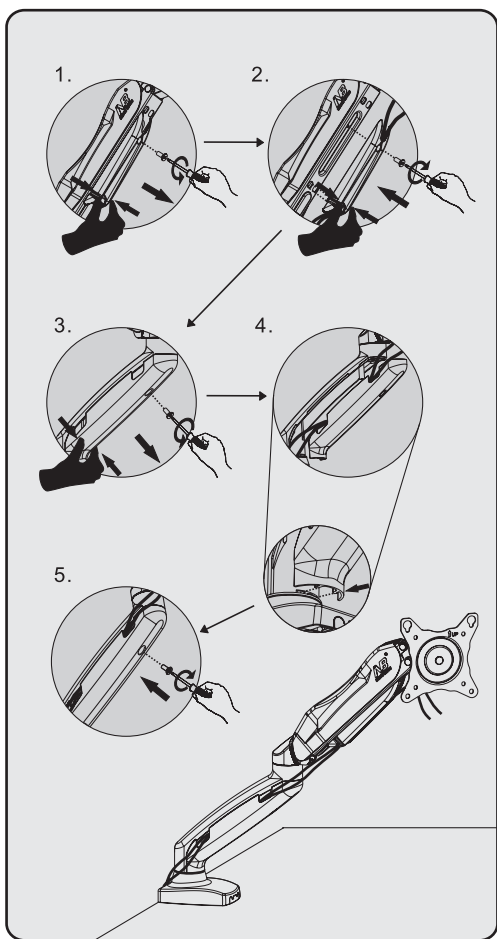
**步骤 3**

**警告:** 一定要把螺丝锁紧。

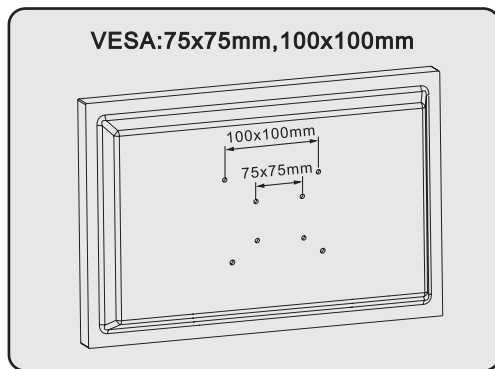
组装后整体支架可调范围(桌面)



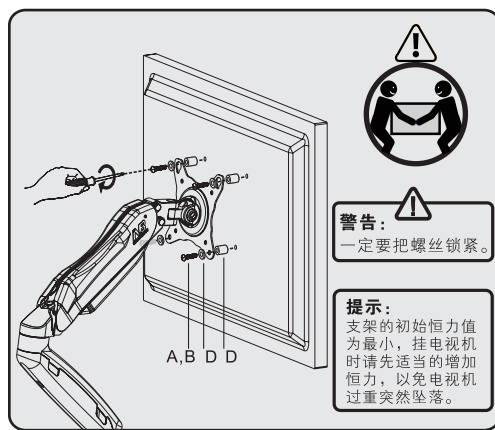
B、视听电线绕道管理



C、安装显示器

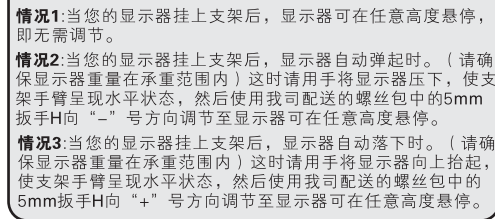
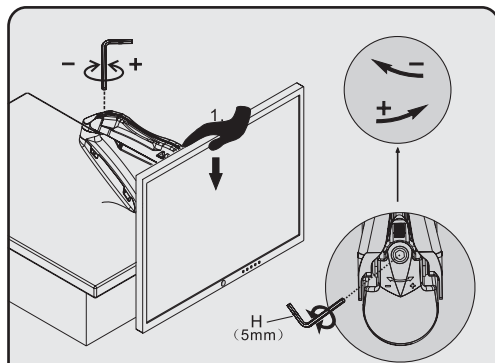


D、挂显示器到支架上

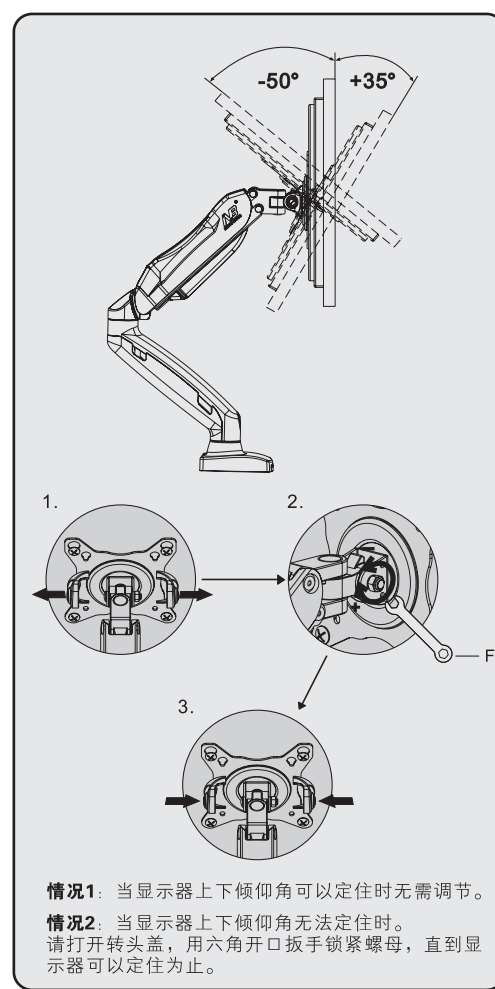


E、支架恒力定点调节

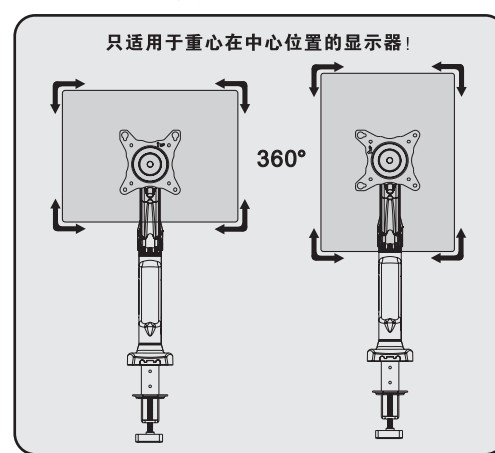
+ :将恒力加大, - :将恒力减小。



F、显示器倾斜角度定点调节



G、显示器可旋转角度



安装后的恒力调试



一定要把电视机安装好后再调试恒力

1.确保电视机已安装到支架上。

2.确保电视机的净重。

恒力调节



减小恒力(失重状态下) 增大恒力(超重状态下)

警告



www.nbavmount.com

昆山泓杰电子有限公司  
地址:中国江苏省昆山市经济技术  
开发区新星南路58号  
邮编: 215333

TEL: 86-512-57971777  
FAX: 86-512-57970776